

Strada 3 Louver Lens

WALL

TYPE

PROJECT

Overview

- stra-da noun: meaning 1. street in Italian
- Strada Series was designed for the minimalist heading down a narrow street. Sleek design lends itself to contemporary spaces where cool is required.
- DESIGNER SELECTIONS
- Strada Series has options of downlight only, and uplight /downlight.
- Strada Series is multi-talented, available in one profile size, three and one quarter by one half inches.
- Strada Series is offered in pendant, wall, surface and recessed applications.
- Strada Series has many optic configurations. Microbeam, lambertian lens, louver with various beam degree options on all.
- Strada Series is available in almost any CCT available in the market, we've selected the most popular, but don't let that stop you from asking for something different.
- Strada Series is always available for your project's special customization needs please contact factory.
- Strada Series qualifies as "Made in America", "American Made" and is part of our ECO sustainable end of life program.
- For all: ies files, pictures, instructions, rfa files, and warranties...scroll to bottom.



Strada 3 Louver Lens

WALL

TYPE
PROJECT

Ordering Format

PART NUMBER: SDA-3-WF

Size	Lumens Direct	Lumens Indirect	CCT Available	CRI Available
2 = 2 Feet	D3 = 350 LPF	I3 = 350 LPF	27 = 2700 Kelvins	80 = 80-85 CRI
3 = 3 Feet	D5 = 500 LPF	I5 = 500 LPF	30 = 3000 Kelvins	90 = 90-95 CRI
4 = 4 Feet	D7 = 750 LPF	I7 = 750 LPF	35 = 3500 Kelvins	
6 = 6 Feet	D10 = 1000 LPF	I10 = 1000 LPF	40 = 4000 Kelvins	
8 = 8 Feet			TW = Tunable White 2700-5000 Kelvins	
Direct Optics	Indirect Optics	Mounting	Driver / Voltage	Fixture Finish
DLW = Lambertian White Lens DA6510 = Asymmetric 60 Degree @10Degree Angle D40 = 40 Degree D55 = 55 Degree	ILW = Lambertian White Lens IBW60 = Batwing 60Degree IBW120 = Batwing 120 Degree IA4560 = Asymmetric 45 Degree @60 Degree Angle	BMF = Bracket Mount with Trim BMT = Bracket Mount Trimless	RND1 = Remote Non-Dim Universal 120VAC RND2 = Remote Non-Dim Universal 277VAC RZT1 = Remote 0-10v dimming 120v dual 1% RZT2 = Remote 0-10v dimming 277v dual 1% RLE1 = Remote Lutron EcoSystem 1% DLC EE CCR / PWM SoftOnFadeToBlack RCC = Remote Custom Control - add in notes MPOE = Molex POE Remote Node /Driver	W = White Standard BK = Black Standard SVR = Silver Standard RAL = Enter RAL # in notes section PA = Plated Aluminum-enter plated finish in notes CW = Custom Wood Finish - see wood PN # enter in notes. AA = Anodized Aluminum -enter PN in notes section
Options				
2C = 2 circuit for direct and indirect control AWN = Lutron Athena Wireless Node (RF only) AWNS = Lutron Athena Wireless Node (with Sensor) REDM = Remote Emergency Driver - Battery Backup 120-277VAC				

NOTES

ORDER NUMBER:

Strada 3 Louver Lens

WALL

TYPE

PROJECT

Construction & Mounting

HOUSING

Extruded aluminum housings are supplied in nominal lengths of 2 ft., 3 ft., 4 ft., 5 ft. and 8 ft. Easy access to LED boards with remote driver. End caps are extruded milled aluminum. Custom sizes are available.

REFLECTOR

Integral powder-coated LED housing with excessive reflectivity for increased lumen output

FINISH

Standard powder-coated colors are white, black and silver. Custom processed woodgrain finishes, aluminum anodized finishes, chrome/gold plating and custom finishes are available as well. We also accept RAL and Pantone numbers for powder-coating color choices.

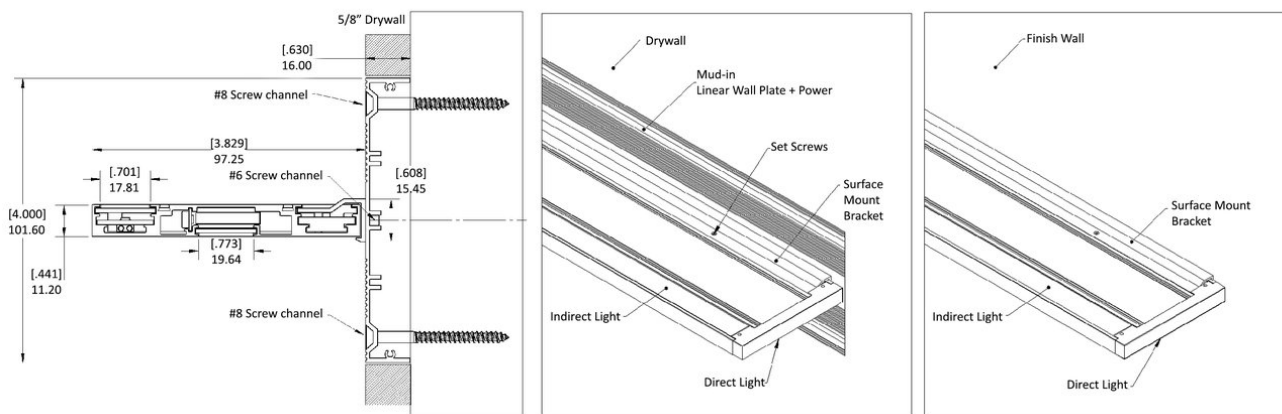
OPTICS

Extruded snap-in frosted acrylic lens formulated for LED light sources.

MOUNTING

Mounting bracket can be trimmed or trimless. See mounting detail drawing.

Strada 3 Louver Lens Wall



Strada 3 Louver Lens

WALL

TYPE

PROJECT

Electrical / Driver

- Drivers - Our drivers are specifically selected based on fixture application to ensure ultimate reliability and long life. We use only UL recognized brands of LED drivers. Our LED drivers feature HPF (high power factor), universal voltage 110 - 277 VAC and include 0-10V dimming. Please note, 277v has longer distances from power feed to power feed then 120v.
- If required, we can supply premium drivers such as Lutron, Eldoled and others upon request. Advanced control systems compliant drivers such as POE, DALI, DMX, etc. are also available, please consult factory.
- Rated life (90% survivorship) of 50,000 hours at 50° C max. ambient (and 70° C max. case) temperature. At maximum driver load: Efficiency >84%, PF>0.9, THD
- Our LED drivers feature HPF (high power factor), universal voltage 110 - 277 VAC and include 0-10V dimming.
- Emergency drivers are factory installed as an option, long life, high temperature, recyclable Ni-Cad battery pack with test switch and charge indicator. EMR is minimum of 90 minutes operation to meet code.
- POE - We are working with Molex/Igor POE systems. We can add a POE driver into our fixtures or remote them. Based on the fixture you select, we will notify you (or you can contact the factory) to see if we can install the P-driver or the P-driver needs to be remote. Just add POE1 in the spec and we will advise. Please keep in mind you need to specify a complete POE control system before specifying POE1.

LED Performance

LED Output	CCT Color Temp	Watts	Lumens	Lumens per Watt	CCT Multiplier
Low	3000	2.6	350	135 LPW	NA
Medium	3000	3.7	500	135 LPW	NA
High	3000	5.6	750	135 LPW	NA
Very High	3000	7.4	1000	135 LPW	NA

- The table above is a quick reference. When calculating loads make sure you add direct and indirect LPW to get total wattage. Please refer to photometric report for detailed information.
- Our light engines are precisely designed for optimal operation of LED assemblies.
- Our standard LED's CCT (correlated color temperature) range is 2700K to 4000K. Other CCT values are available upon request.
- We log LED bin codes for each project we supply to ensure color consistency and keep a record of those projects for future reference.
- CRI offered is 80+, and 90+ Note: on 90+ CRI use .85 multiplier
- Tunable white, warm dim and other special LED colors available.
- Custom Lumens Available
- We design our own printed circuit boards to ensure high luminescence efficiency, low thermal resistance and long-term reliable operation.
- Light engines are easily replaced.
- We use only recognized brand LED's with 3 SDCM (standard deviation color matching) with high color consistency. 2 SDCM available upon request.
- If you require a special LED manufacturer, please contact us. LED chip manufacturers used by Picasso are primarily (but not limited to) Nichia, Cree and Samsung.
- LRP - "LED Reel Program" – LED's for printed circuit boards come on reels' like old 8mm projectors and they're sold in lots just like fabric. At Picasso Lighting, we have a program where we make sure all of your reels come from the same lot for each project. This ensures excellent color consistency in large open spaces.
- LED life is rated at 50,000 hours

Certifications & Warranties

- Limited five-year (50,000 hours) warranty on all products. Limited ten-year (100,000 hours) warranty on all Lutron drivers.
- DLC listed products will have DLC Logo.
- Chicago Plenum and IC products are available upon request.
- Warranty does not cover damage caused by transport, damage caused by using the fixture in an area it is not UL rated for, damage caused by negligence, lack of maintenance, attempts to repair by unqualified or unauthorized personnel, by using non-original accessories/parts, fixtures installed in systems without power surge protection.
- UL and CUL listed for dry and damp locations.
- IBEW USA Union All fixtures are IBEW manufactured and assembled in the USA.
- We manufacture based on approved spec sheets and submittals signed by professionals responsible. Change orders must be in writing and will delay delivery.
- Picasso Lighting must receive in writing any thought to be defective products discovered, no later than 4 weeks from delivery to; ttoledo@picassoltg.com. Picasso Lighting will send a field technician to the site to evaluate the said defective product. We do accept field repair from licensed electrical contractors but not without a written agreement signed by Picasso Lighting official. Failure to adhere to all warranty and certifications will void any recompense and the warranty.



Strada 3 Louver Lens

WALL

TYPE

PROJECT

Note: Picasso lighting industries, LLC reserves the right to make any design changes which will not affect the overall appearance or performance of the product. All ceilings to be adequately reinforced by others. All fixtures to be wired by licensed electrician only. The information contained herein is the sole property of Picasso Lighting Industries, LLC and may not be used without prior written consent of Picasso Lighting Industries, LLC. The 'USGBC member logo' is a trademark owned by the U.S. Green building council and is used by permission. The logo signifies only that Picasso Lighting Industries, LLC is a USGBC member; USGBC does not review, certify, or endorse the products or services offered by its members.