

Sienna 1 Louver Lens

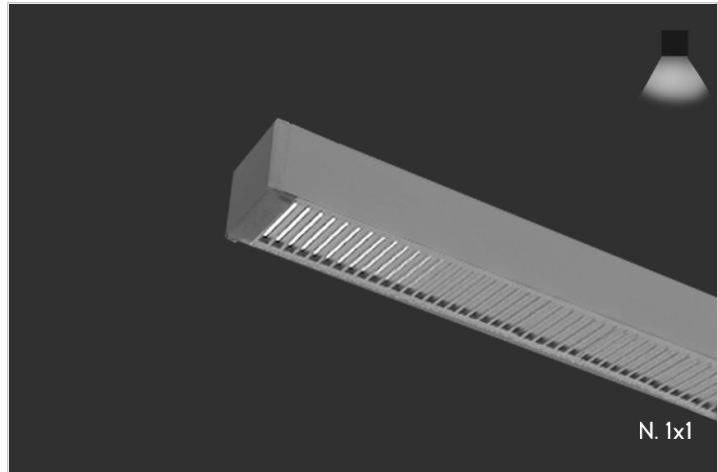
SURFACE

TYPE

PROJECT

Overview

- si-en-na noun: sienna; plural noun: siennas; noun: Raw sienna comes from iron ore or ferric oxide found naturally in clays. Unlike yellow ochres, which are generally opaque, siennas are more transparent. Sienna was one of the first pigments used for painting and can be found in prehistoric cave art.
- Sienna Series was designed for the minimalist when illuminating a space because of its small profiles.
- DESIGNER SELECTIONS
- Sienna Series has 4 profile sizes, nominally: one inch by one inch, two inches by two inches, two-and one-half inches by two- and one-half inches and one and a half inch by three inches.
- Sienna Series has options of downlight only in our two-and one-half inch profile with flush and dropped lenses, and uplight /downlight options in our one inch and one and a half inch profile with a multitude of lens/louver/baffle options.
- Sienna Series has multiple choices for canopies and colors, just scroll down for your choices.
- Sienna Series is available in almost any CCT available in the market, we've selected the most popular, but don't let that stop you from asking for something different.
- Sienna 1 and 1.5 MCO have URG under 16 and Sienna 1 LL have URG under 19 on x-axis.
- Sienna Series is available in direct flush/dropped lens with integral driver in the two- and one-half inch profile and direct/indirect with Sienna 1.5 integral driver and remote driver in the one-inch profile. We can also tune in our drivers to a specific lumen output if required.
- Sienna Series is always available for your project's special customization needs, such as triangles, squares, rectangles, and others.
- Sienna Series qualifies as "Made in America", "American Made" and is part of our ECO sustainable end of life program.
- Sienna Series is also available as part of our EZ install/ ship program in our two- and one-half inch profile.
- For all: ies files, pictures, instructions, rfa files, and warranties...scroll to bottom.
- Please be advised that our Sienna Series is available in Pendant, Wall, Surface, Surface Grid and Recessed.



Sienna 1 Louver Lens

SURFACE

TYPE
PROJECT

Ordering Format

PART NUMBER: SIE1-SF-LL

| Size | Lumens Direct | CCT Available | CRI Available | Direct Optics |
|---|---|--|--|---|
| 2 = 2 feet | D3 = 350 LPF | 27 = 2700 Kelvins | 80 = 80-85 CRI | DLW = Lambertian White Lens |
| 4 = 4 feet | D5 = 500 LPF | 30 = 3000 Kelvins | 90 = 90-95 CRI | DBW60 = Batwing 60 Degree Beam |
| 6 = 6 feet | D7 = 750 LPF | 35 = 3500 Kelvins | | DA5025 = Asymmetric 50 Degree Beam @25 Degree Tilt |
| 8 = 8 feet | D10 = 1000 LPF | 40 = 4000 Kelvins TW = Tunable White 2700-5000 Kelvins | | DA405 = Asymmetric 40 Degree Beam @5 Degree Tilt D55 = 55 Degree Beam D40 = 40 Degree Beam |
| Optic Finish Shape | Mounting | Driver / Voltage | Fixture Finish | Canopy/Power Cord Color |
| NL = No Louver BKL = Standard Black Louver Direct Only WHL = Standard White Louver Direct Only | SM = Surface Mount Clips Gyp SS = Slot Clip ST1 = Flat T-Bar Clip 9/16 ST2 = Flat T-Bar Clip 15/16 SMA = 3 inch Adj. elbow for floor or shelf mtg. | RND1 = Remote Non-Dim Universal 120VAC RND 2 = Remote Non-Dim Universal 277VAC RZT 1 = Remote 0-10v dimming 120v dual 1% RZT 2 = Remote 0-10v dimming 277v dual 1% RCC = Remote Custom Control - add in notes | W = Standard White BK = Standard Black SVR = Standard Silver RAL = Enter RAL or Pantone in notes CW = Standard Wood Finish - see wood PN # enter in notes. SW = Special pattern submitted by designer AA = Anodized Aluminum -enter PN in notes section PA = Plated Aluminum-enter plated finish in notes | RD = Remote Drivers |

Options

AWN = Lutron Athena Wireless Node (RF only)
AWNS = Lutron Athena Wireless Node (with Sensor)
LV = Louver
OS = Occupancy Sensor
REMD = Remote Emergency Driver - Battery Backup 120-277VAC

NOTES

ORDER NUMBER:

Sienna 1 Louver Lens

SURFACE

TYPE

PROJECT

Construction & Mounting

HOUSING

Extruded aluminum housings are supplied in nominal lengths of 2 ft., 3ft., 4ft., 6 ft., and 8 ft.. Fixtures may be continuously rowed (contact factory for details). Internal components are constructed from min. 20 gauge die-formed steel. Easy access to driver and LED boards. End caps are extruded aluminum.

REFLECTOR

Integral powder-coated LED housing with excessive reflectivity for increased lumen output

FINISH

Standard powder-coated colors are white, black, and silver. Custom processed wood finishes, aluminum anodized finishes, chrome/gold plating, and custom finishes are available as well. We also accept RAL and Pantone numbers for powder-coating color choices.

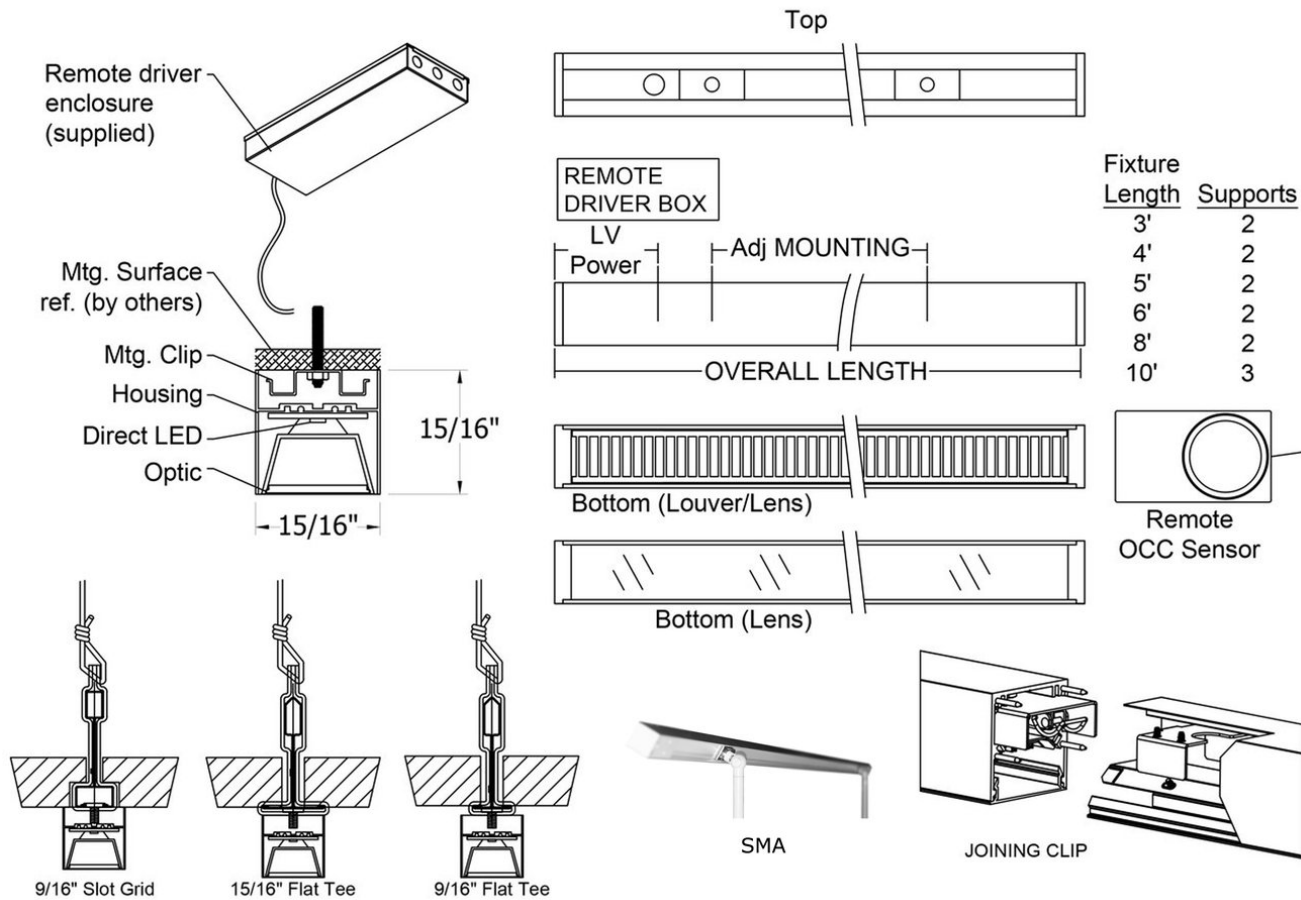
OPTICS

Extruded frosted acrylic snap-in lens formulated for LED light sources.

MOUNTING

Grid is supplied with special mounting brackets for T-Bar or Slot. Surface-mounted fixtures have pre-drilled holes for 1/4" threaded rods by others. Surface-mounted fixtures have 1/2" knockout for power feed.


Sienna 1-LL Surface Flush (Louver/Lens)



Sienna 1 Louver Lens

TYPE
PROJECT


Standard Finishes



White W Black B Silver SVR


Anodized Aluminum - Premium Finishes

xxxx-B for Aluminum to be Brushed




Anodized Black AABK Anodized DK. Bronze AADB Anodized LT. Bronze AALB Anodized Champagne AALC Anodized Clear AACL

Custom RAL - Custom finishes go to: tiger-coatings.com **Add 8 to Notes**

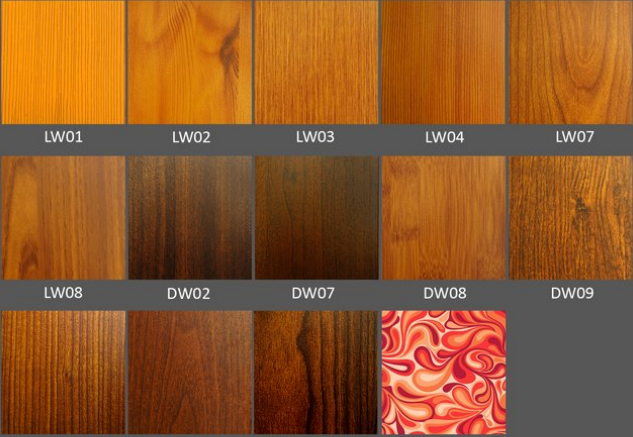


Plated Aluminum - Premium Finishes



Antique Brass PAAB Polished Chrome PAPC Polished Gold PAPG

Wood - Premium Finishes



LW01 LW02 LW03 LW04 LW07

LW08 DW02 DW07 DW08 DW09

DW10 DW11 DW12 Consult Factory

Standard Finishes - colors are powder coated and do not add to delivery lead time.
 Anodized Aluminum - can be smooth or brushed, color can vary fixture to fixture and adds 4-5 weeks to lead time. Anodized finish is limited in fixture size.
 Plated Aluminum - is a mirror finish in chrome and gold and adds 4-5 weeks to lead time.
 Woods Finishes - so realistic, wood finish can add up to 4-5 weeks to lead time.

Sienna 1 Louver Lens

SURFACE

TYPE

PROJECT

Electrical / Driver

- Drivers - Our drivers are specifically selected based on fixture application to ensure ultimate reliability and long life. We use only UL-recognized brands of LED drivers. Our LED drivers feature HPF (high power factor), universal voltage 110 - 277 VAC, and include 0-10V dimming. Please note, 277v has longer distances from power feed to power feed than 120v.
- Emergency drivers are factory installed as an option, long life, high temperature, recyclable Ni-Cad battery pack with test switch and charge indicator. EMR is minimum of 90 minutes operation to meet code.
- Whip - Six feet long, wiring RHOS/Reach Compliant, 18 gauge, 600v rated, Specify wired to the fixture as an OPTION.
- If required, we can supply premium drivers such as Lutron, Eldoled, and others upon request. Advanced control systems compliant drivers such as POE, DALI, DMX, etc. are also available, please consult factory.
- Rated life (90% survivorship) of 50,000 hours at 50° C max. ambient (and 70° C max. case) temperature. At maximum driver load: Efficiency >84%, PF>0.9, THD
- POE - We are working with Molex/Igor POE systems. We can add a POE driver into our fixtures or remote them. Based on the fixture you select, we will notify you (or you can contact the factory) to see if we can install the P-driver or the P-driver needs to be remote. Just add POE1 in the spec and we will advise. Please keep in mind you need to specify a complete POE control system before specifying POE1.

LED Performance

| LED Output | CCT Color Temp | Watts | Lumens | Lumens per Watt | CCT Multiplier |
|------------|----------------|---------|----------|-----------------|----------------|
| Low | 3000 | 3.1 WPF | 350 LPF | 113 | 2700 = .95 |
| Medium | 3000 | 4.5 WPF | 500 LPF | 109 | 2700 = .95 |
| High | 3000 | 7.1 WPF | 750 LPF | 108 | 3500=1.01 |
| Very High | 3000 | 9.4WPF | 1000 LPF | 107 | 4000=1.03 |

- The table above is a quick reference. When calculating loads make sure you add direct and indirect LPW to get total wattage. Please refer to photometric report for detailed information.
- Our light engines are precisely designed for optimal operation of LED assemblies.
- Our standard LED's CCT (correlated color temperature) range is 2700K to 4000K. Other CCT values are available upon request.
- We log LED bin codes for each project we supply to ensure color consistency and keep a record of those projects for future reference.
- CRI offered is 80+, and 90+ Note: on 90+ CRI use .85 multiplier
- Tunable white, warm dim and other special LED colors available.
- Custom Lumens per foot are available.
- We design our own printed circuit boards to ensure high luminescence efficiency, low thermal resistance and long-term reliable operation.
- Light engines are easily replaced.
- We use only recognized brand LED's with 3 SDCM (standard deviation color matching) with high color consistency. 2 SDCM available upon request.
- If you require a special LED manufacturer, please contact us. LED chip manufacturers used by Picasso are primarily (but not limited to) Nichia, Cree and Samsung.
- LRP - "LED Reel Program" – LED's for printed circuit boards come on reels' like old 8mm projectors and they're sold in lots just like fabric. At Picasso Lighting, we have a program where we make sure all of your reels come from the same lot for each project. This ensures excellent color consistency in large open spaces.
- LED life is rated at 50,000 hours

Certifications & Warranties

- Limited five-year limited warranty on all products that are installed according to the product's specifications. Fixture must be properly installed by qualified licensed electricians, who meet and understand local installation requirements. Proper ambient conditions are to be met. The normal indoor temperatures of 50-90 degrees F, no more than 95% RH and sufficient air flow are required. Fixture should not be modified, and no maintenance or repairs should be performed without the written authorization from Picasso Lighting.
- We manufacture based on approved spec sheets and submittals signed by the customers. Change orders must be in writing and will delay delivery.
- Picasso Lighting reserves the right to repair or replace a defective product with another product with a similar design and the same or better performance, or to refund the distributor for the purchase price. The costs of labor to replace luminaires are not covered.
- Warranty does not cover damage caused by transportation, damage caused by using the fixture in an area it is not UL rated for, damage caused by negligence, lack of maintenance, attempts to repair by unqualified or unauthorized personnel, by using non-original accessories/parts, fixtures installed in systems without power surge protection.
- Picasso Lighting must receive in writing any complaints regarding the defective products, no later than 3 weeks from delivery addressed to: ttoledo@picassoltg.com. Picasso Lighting will send a field technician to the site to evaluate the said defective product or may require product to be sent back to the factory for repair. The customer is responsible for the costs of disassembly and reassembly. We do accept field repairs and replacement labor from licensed electrical contractors but not without a written agreement signed by Picasso Lighting official. Failure to adhere to all warranty and certifications will void any recompense and the warranty.
- IBEW USA Union All fixtures are IBEW manufactured

Sienna 1 Louver Lens

SURFACE

TYPE

PROJECT

and assembled in the USA. UL listed for dry and damp locations.



Note: Picasso lighting industries, LLC reserves the right to make any design changes which will not affect the overall appearance or performance of the product. All ceilings to be adequately reinforced by others. All fixtures to be wired by licensed electrician only. The information contained herein is the sole property of Picasso Lighting Industries, LLC and may not be used without prior written consent of Picasso Lighting Industries, LLC. The 'USGBC member logo' is a trademark owned by the U.S. Green building council and is used by permission. The logo signifies only that Picasso Lighting Industries, LLC is a USGBC member; USGBC does not review, certify, or endorse the products or services offered by its members.