

# Anello Canopy Flush Lens

## PENDANT RINGS

TYPE

PROJECT

### Overview

- anello /a-nèl-lo/ sostantivo maschile 1.Cerchietto d'oro o d'argento o d'altro metallo. Translation: Circle or ring of gold or silver or other metal.
- Anello Series ultimately showcases and accentuates certain design elements to foster, establish or emphasize a designers need to enhance a building's aesthetic, history and purpose by lighting a space with Anello! It is the intersection of art (architecture), design and technology.
- DESIGNER SELECTIONS
- Anello Series has 2 profile sizes. Anello 2.5 and Anello Canopy is a two and one half inch width and height of three and three quarter inches (lower LPF). Anello 3 is three inches in width and three and three quarters of an inch in height (higher LPF).
- Anello Series can be pendant mounted, surface mounted and recessed. Glance under appropriate categories IE; surface, recessed, pendent.
- Anello Series sizes are variable with Anello 2 and Anello 3, largest to date is 27 feet. Anello Canopy is limited to 5 feet diameter because of weight.
- Anello Series has multiple choices for canopies and colors, just scroll down for your choices.
- Anello Series is available in almost any CCT available in the market, we've selected the most popular , but don't let that stop you from asking for something different.
- Anello Series qualifies as "Made in America" and is part of our ECO sustainable end of life program.
- For all: ies files, pictures, instructions, rfa files, and warranties...scroll to bottom. Note; ies file must added in six feet increments.
- Please be advised that our Anello Series is available in Pendant, Recessed and Surface.



# Anello Canopy Flush Lens

PENDANT RINGS

TYPE  
PROJECT

## Ordering Format

PART NUMBER: ANLC -PR

Size	Lumens Direct	Lumens Indirect	CCT Available	CRI Available
3 = 3 Feet	<b>D3</b> = 350 Lumens width 2.5	<b>I3</b> = 350 Lumens	<b>27</b> = 2700 Kelvins	<b>80</b> = 80-85 CRI
4 = 4 Feet	<b>D5</b> = 500 Lumens width 2.5	<b>I5</b> = 500 Lumens	<b>30</b> = 3000 Kelvins	<b>90</b> = 90-95 CRI
5 = 5 Feet	<b>D5</b> = 500 Lumens width 2.5	<b>I7</b> = 750 Lumens	<b>35</b> = 3500 Kelvins	
6 = 6 Feet	<b>D7</b> = 750 Lumens width 3	<b>I10</b> = 1000 Lumens <b>NN</b> = Not Needed	<b>40</b> = 4000 Kelvins <b>TW</b> = Tunable White-27k-56k/0-10v Control	

Direct Optics	Mounting	Driver / Voltage	Fixture Finish	Canopy/Power Cord Color
<b>OW</b> = Opal White Direct Lens <b>OW/MC</b> = D-Opal White I-Matte Clear	<b>PCC3</b> = Custom Canopy for 3' Anello3 3 cable <b>PCC4</b> = Custom Canopy for 4' Anello3 3 cable <b>PCC5</b> = Custom Canopy for 5' Anello3 4 cable <b>PCC6</b> = Custom Canopy for 6' Anello3 4 cable	<b>ND 1</b> = Non-Dim Universal 120VAC <b>ND 2</b> = Non-Dim Universal 277VAC <b>ZT 1</b> = 0-10v dimming 120v 1% <b>ZT 2</b> = 0-10v dimming 277v 1% <b>CC</b> = Custom Control - add in notes	<b>W</b> = Standard White <b>BK</b> = Standard Black <b>SVR</b> = Standard Silver <b>RAL</b> = Enter RAL# or Pantone# in notes <b>PA</b> = Plated Aluminum-enter plated finish in notes <b>CW</b> = Standard Wood Finish - see wood PN # enter in notes. <b>SW</b> = Special pattern submitted by designer <b>AA</b> = Anodized Aluminum -enter PN in notes section	<b>CWPW</b> = Canopy White/Power Cord White <b>CWPB</b> = Canopy White/Power Cord Black <b>CBPB</b> = Canopy Black/Power Cord Black <b>CBPW</b> = Canopy Black/Power Cord White

Options
<b>AWN</b> = Lutron Athena Wireless Node (RF only) <b>AWNS</b> = Lutron Athena Wireless Node (with Sensor) <b>2C</b> = 2 circuit wiring for direct indirect <b>EMD</b> = Emergency Driver - Battery Backup 120-277VAC <b>IW</b> = Inverter Wiring <b>OS</b> = Occupancy Sensor

### NOTES

**ORDER NUMBER:**

# Anello Canopy Flush Lens

PENDANT RINGS

TYPE

PROJECT

## Construction & Mounting

### HOUSING

Extruded aluminum rings are supplied in our standard nominal sizes of 3 ft., 4 ft., 5 ft., and 6 ft.. Custom sizes are also available in our standard Anello. Each ring can be shipped containing from 2-4 sections that are locked together with ring clamps for perfect joint connection. Easy access to driver and LED boards.

### REFLECTOR

Integral powder-coated LED housing with excessive reflectivity for increased lumen output

### FINISH

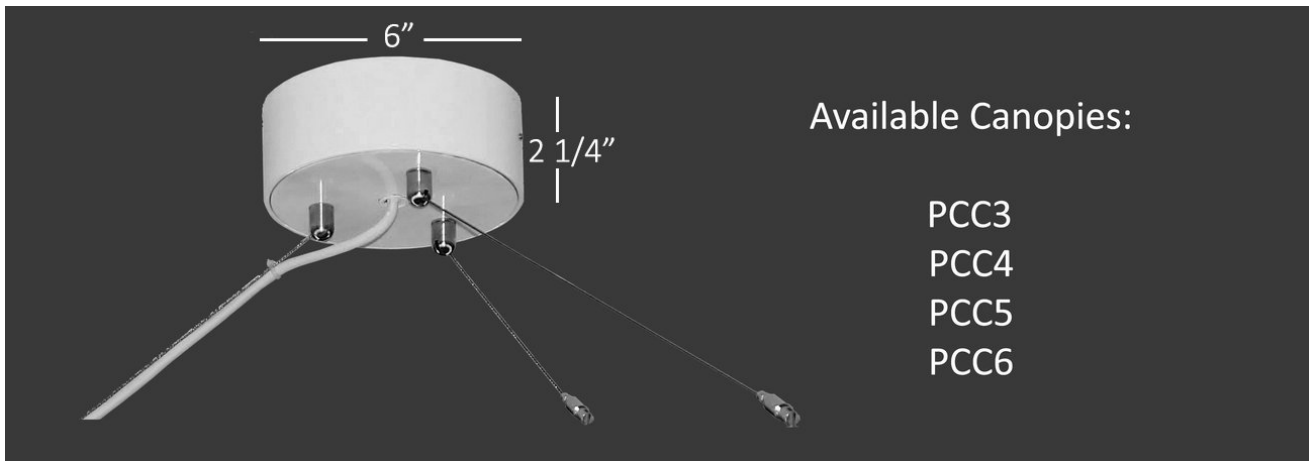
Standard powder-coated colors are white, black and silver. Custom processed wood finishes, aluminum anodized finishes, chrome/gold plating and custom finishes are available as well. We also accept RAL and Pantone numbers for powder-coating color choices. Contact factory for wood finishes.

### OPTICS

Slightly regressed, lay-in acrylic lens formulated for LED light sources. Lift and shift lens.

### MOUNTING

Cable mounting with various size canopies and power feeds. Cable uses gripper style locking for field adjustments 48" standard. Canopy mounts to standard J-box and larger sizes may require Picasso re-enforced canopy.

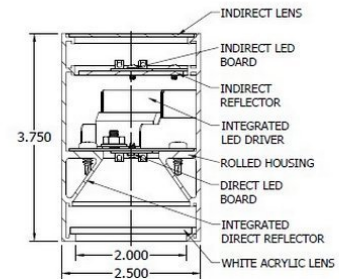
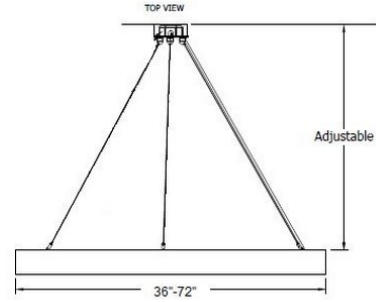
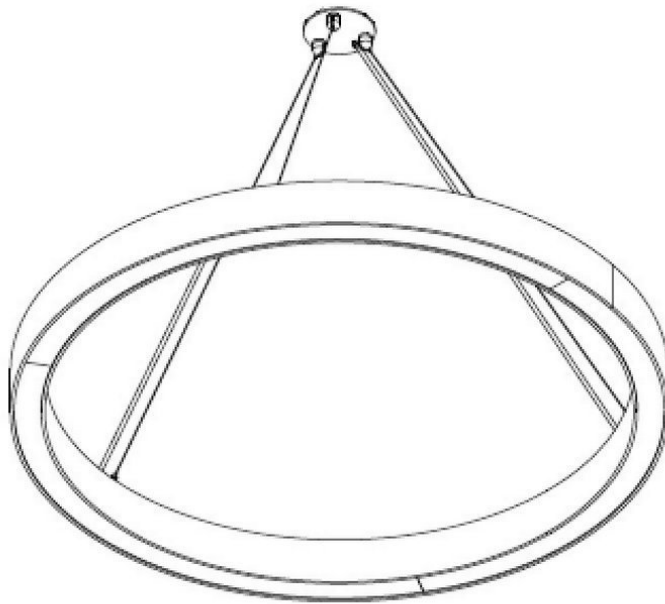


# Anello Canopy Flush Lens

PENDANT RINGS

TYPE

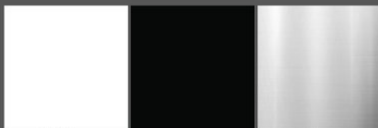
PROJECT



SECTION VIEW

DIRECT/INDIRECT LIGHT

## Standard Finishes



White W Black B Silver SVR

## Plated Aluminum - Premium Finishes



Antique Brass PAAB Polished Chrome PAPC Polished Gold PAPG

## Anodized Aluminum - Premium Finishes

xxxx-B for Aluminum to be Brushed



Anodized Black AABK Anodized DK. Bronze AADB Anodized LT. Bronze AALB Anodized Champagne AALC Anodized Clear AACL

## Wood - Premium Finishes



LW01 LW02 LW03 LW04 LW07



LW08 DW02 DW07 DW08 DW09



DW10 DW11 DW12 Consult Factory

Custom RAL - Custom finishes go to: [tiger-coatings.com](http://tiger-coatings.com) Add # in Notes



Standard Finishes - colors are powder coated and do not add to delivery lead time.

Anodized Aluminum - can be smooth or brushed, color can vary fixture to fixture and adds 4-5 weeks to lead time. Anodized finish is limited in fixture size.

Plated Aluminum - is a mirror finish in chrome and gold and adds 4-5 weeks to lead time.

Woods Finishes - so realistic, wood finish can add up to 4-5 weeks to lead time.

# Anello Canopy Flush Lens

## PENDANT RINGS

TYPE

PROJECT

### Electrical / Driver

- Drivers - Our drivers are specifically selected based on fixture application to ensure ultimate reliability and long life. We use only UL recognized brands of LED drivers. Our LED drivers feature HPF (high power factor), universal voltage 110 - 277 VAC and include 0-10V dimming. Please note, 277v has longer distances from power feed to power feed then 120v.
- If required, we can supply premium drivers such as Lutron, Eldoled and others upon request. Advanced control systems compliant drivers such as POE, DALI, DMX, etc. are also available, please consult factory.
- Rated life (90% survivorship) of 50,000 hours at 50° C max. ambient (and 70° C max. case) temperature. At maximum driver load: Efficiency >84%, PF>0.9, THD
- Our LED drivers feature HPF (high power factor), universal voltage 110 - 277 VAC and include 0-10V dimming.
- Emergency drivers are factory installed as an option, long life, high temperature, recyclable Ni-Cad battery pack with test switch and charge indicator. EMR is minimum of 90 minutes operation to meet code.
- POE - We are working with Molex/Igor POE systems. We can add a POE driver into our fixtures or remote them. Based on the fixture you select, we will notify you (or you can contact the factory) to see if we can install the P-driver or the P-driver needs to be remote. Just add POE1 in the spec and we will advise. Please keep in mind you need to specify a complete POE control system before specifying POE1.

### LED Performance

LED Output	CCT Color Temp	Watts	Lumens	Lumens per Watt	CCT Multiplier
Low	3000	4.3 WPF Direct (3.4 WPF Indirect)	350 LPF	81	2700=.95
Medium	3000	6.02 WPF Direct (4.8 WPF Indirect)	500 LPF	82	3000=1
High	3000	9 WPF Direct (7.3WPF Indirect)	750 LPF	82	3500=1.01
Very High	3000	12.7 WPF Direct (9.7 WPF Indirect)	1000 LPF (fixture size width becomes 3")	79	4000=1.03

- The table above is a quick reference. When calculating loads make sure you add direct and indirect LPW to get total wattage. Please refer to photometric report for detailed information.
- Our light engines are precisely designed for optimal operation of LED assemblies.
- Our standard LED's CCT (correlated color temperature) range is 2700K to 4000K. Other CCT values are available upon request.
- We log LED bin codes for each project we supply to ensure color consistency and keep a record of those projects for future reference.
- CRI offered is 80+, and 90+ Note: on 90+ CRI use .85 multiplier
- Tunable white, warm dim and other special LED colors available.
- Custom Lumens Available
- We design our own printed circuit boards to ensure high luminescence efficiency, low thermal resistance and long-term reliable operation.
- Light engines are easily replaced.
- We use only recognized brand LED's with 3 SDCM (standard deviation color matching) with high color consistency. 2 SDCM available upon request.
- If you require a special LED manufacturer, please contact us. LED chip manufacturers used by Picasso are primarily (but not limited to) Nichia, Cree and Samsung.
- LRP - "LED Reel Program" – LED's for printed circuit boards come on reels' like old 8mm projectors and they're sold in lots just like fabric. At Picasso Lighting, we have a program where we make sure all of your reels come from the same lot for each project. This ensures excellent color consistency in large open spaces.
- LED life is rated at 50,000 hours

### Certifications & Warranties

# Anello Canopy Flush Lens

## PENDANT RINGS

TYPE

PROJECT

- Limited five-year limited warranty on all products that are installed according to the product's specifications. Fixture must be properly installed by qualified licensed electricians, who meet and understand local installation requirements. Proper ambient conditions are to be met. The normal indoor temperatures of 50-90 degrees F, no more than 95% RH and sufficient air flow are required. Fixture should not be modified, and no maintenance or repairs should be performed without the written authorization from Picasso Lighting.
- We manufacture based on approved spec sheets and submittals signed by the customers. Change orders must be in writing and will delay delivery.
- Picasso Lighting reserves the right to repair or replace a defective product with another product with a similar design and the same or better performance, or to refund the distributor for the purchase price.
- Warranty does not cover damage caused by transportation, damage caused by using the fixture in an area it is not UL rated for, damage caused by negligence, lack of maintenance, attempts to repair by unqualified or unauthorized personnel, by using non-original accessories/parts, fixtures installed in systems without power surge protection.
- Picasso Lighting must receive in writing any complaints regarding the defective products, no later than 3 weeks from delivery addressed to: [ttoledo@picassoltg.com](mailto:ttoledo@picassoltg.com). Picasso Lighting will send a field technician to the site to evaluate the said defective product or may require product to be sent back to the factory for repair. The customer is responsible for the costs of disassembly and reassembly. We do accept field repairs and replacement labor from licensed electrical contractors but not without a written agreement signed by Picasso Lighting official. Failure to adhere to all warranty and certifications will void any recompense and the warranty.
- IBEW USA Union All fixtures are IBEW manufactured and assembled in the USA. UL listed for dry and damp locations.



Note: Picasso lighting industries, LLC reserves the right to make any design changes which will not affect the overall appearance or performance of the product. All ceilings to be adequately reinforced by others. All fixtures to be wired by licensed electrician only. The information contained herein is the sole property of Picasso Lighting Industries, LLC and may not be used without prior written consent of Picasso Lighting Industries, LLC. The 'USGBC member logo' is a trademark owned by the U.S. Green building council and is used by permission. The logo signifies only that Picasso Lighting Industries, LLC is a USGBC member; USGBC does not review, certify, or endorse the products or services offered by its members.