

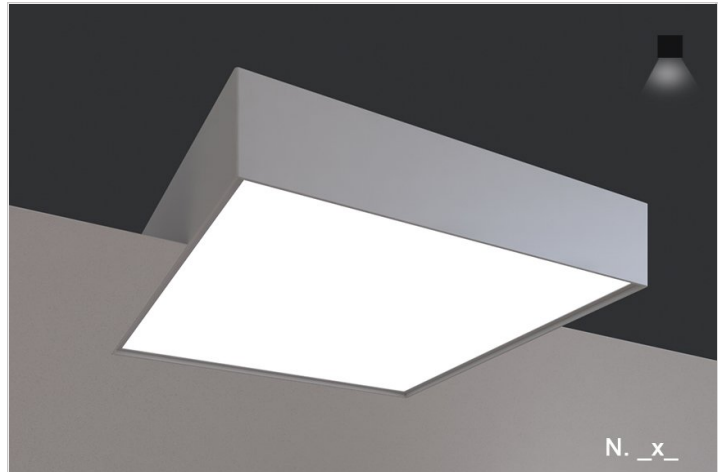
Nubez _x_ Dropped Trimless

RECESSED STANDARD

TYPE
PROJECT

Overview

- Squares and Rectangles
- Soft even illumination - Newmat Stretch Ceiling is a PVC membrane diffuser
- No sagging the way acrylic does in 4x4, 5x5, 6x6 applications
- Extruded aluminum door frame
- Also available in surface mount



Nubez_x_Dropped Trimless

RECESSED STANDARD

TYPE
PROJECT

Ordering Format

PART NUMBER: NUB-RD

Size	Lumens Direct	CCT Available	CRI Available	Optics
2x2 = 24in x 24in	DR2 = 250 lumens/sqft	27 = 2700 Kelvins	80 = 80-85 CRI	NM = Numat-Stretch Fabric
3x3 = 36in x 36in	DR3 = 375 lumens/sqft	30 = 3000 Kelvins	90 = 90-95 CRI	
4x4 = 48in x 48in	DR5 = 500 lumens/sqft	35 = 3500 Kelvins		
5x5 = 60in x 60in	DR6 = 625 lumens/sqft	40 = 4000 Kelvins		
6x6 = 72in x 72in		TW = Tunable White 2700-5000 Kelvins		
7x7 = 84in x 84in				
8x8 = 96in x 96in				
2x4 = 24in x 48in				
3x4 = 36in x 48in				
4x5 = 48in x 60in				
5x6 = 60in x 72in				
6x8 = 72in x 96				
5x10 = 60in x 120in				
8x12 = 96in x 144in				
Mounting	Driver / Voltage	Fixture Finish	Options	
S = 9/16 Slot Grid Trimless	ND = Non-Dim Universal 120-277VAC	W = Standard White	FS = stretch in field one fabric unit (for oversize, add in notes)	
T = T-Bar 9/16 and 15/16 Trimless	ZT = 0-10v Dimming Universal 120-277VAC 1%		OS = Occupancy Sensor	
	LE1 = Lutron EcoSystem 1% SoftOnFadeToBlack		WH = Whip 6'	
	LE5 = Lutron EcoSystem 5%		EMD = Emergency Driver - Battery Backup 120-277VAC	
	CC = Custom Control - add in notes		NAM = Acoustical Membrane NRC-1	

NOTES

ORDER NUMBER:

Nubez_x_Dropped Trimless

RECESSED STANDARD

TYPE

PROJECT

Construction & Mounting

HOUSING

Excellent design, precision-tooling and automated production is the combination that produces our troffer style housings. Most industry today uses pre-painted, folded 22 gauge steel. We use die formed 20 gauge steel with welded, grinded, sanded corners, that produces a seamless troffer with no light leaks. We manufacture, any size available. Ceiling thickness unrestricted.

REFLECTOR

Integral powder-coated LED housing with excessive reflectivity for increased lumen output

FINISH

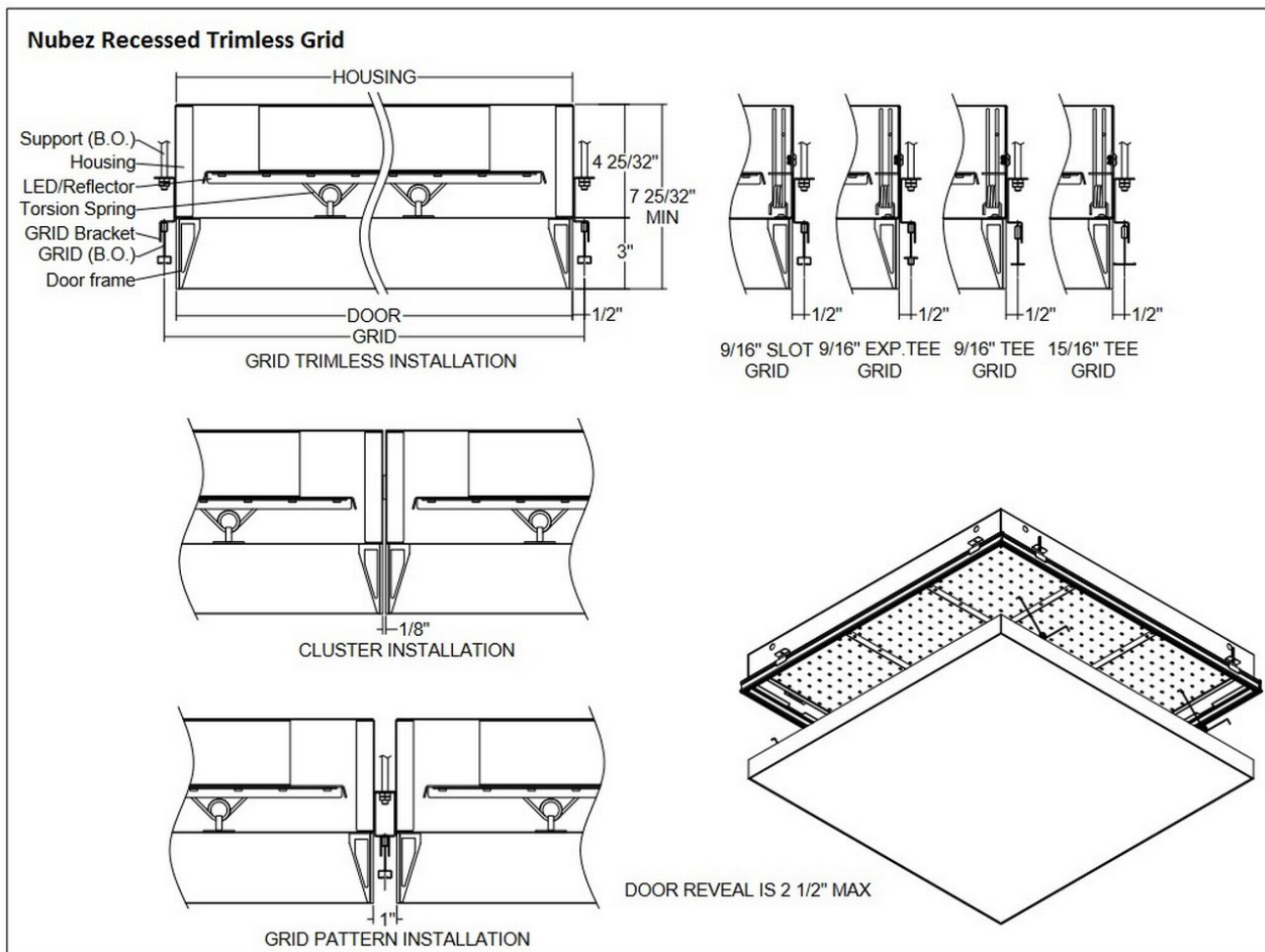
Standard powder-coated colors are white. Troffer style fixtures are not limited to white, consult factory for special applications.

OPTICS

Dual layers of clear and opal white flexible membrane is stretched over the frame. Opal white is to room side.

MOUNTING

Our recessed fixtures are made to be mounted in slot grid, T-bar and sheetrock ceilings. See mounting detail. Other ceiling types, please consult the factory, we can accommodate many different applications.



Electrical / Driver

- Drivers - Our drivers are specifically selected based on fixture application to ensure ultimate reliability and long life. We use only UL recognized brands of LED drivers. Our LED drivers feature HPF (high power factor), universal voltage 110 - 277 VAC and include 0-10V dimming. Please note, 277v has longer distances from power feed to power feed then 120v.
- If required, we can supply premium drivers such as Lutron, Eldoled and others upon request. Advanced control systems compliant drivers such as POE, DALI, DMX, etc. are also available, please consult factory.
- Rated life (90% survivorship) of 50,000 hours at 50° C max. ambient (and 70° C max. case) temperature. At maximum driver load: Efficiency >84%, PF>0.9, THD
- POE - We are working with Molex/Igor POE systems. We can add a POE driver into our fixtures or remote them. Based on the fixture you select, we will notify you (or you can contact the factory) to see if we can install the P-driver or the P-driver needs to be remote. Just add POE1 in the spec and we will advise. Please keep in mind you need to specify a complete POE control system before specifying POE1.
- Our LED drivers feature HPF (high power factor), universal voltage 110 - 277 VAC and include 0-10V dimming.
- Emergency drivers are factory installed as an option, long life, high temperature, recyclable Ni-Cad battery pack with test switch and charge indicator. EMR is minimum of 90 minutes operation to meet code.
- Whip - Six feet long, wiring RHOS/Reach Compliant, 18 gauge, 600v rated, Specify wired to the fixture as an OPTION.

LED Performance

LED Output	CCT Color Temp	Watts	Lumens	Lumens per Watt	CCT Multiplier
Low	3000	44.7 TW	9000 TL (250 LPSF)	90 LPW	2700=.95/3000=1 /3500=1.01/4000/1.03
Medium	3000	67 TW	13,500 TL (375 LPSF)	90 LPW	2700=.95/3000=1 /3500=1.01/4000/1.03
High	3000	89.4 TW	18,000 TL (500 LPSF)	90 LPW	2700=.95/3000=1 /3500=1.01/4000/1.03
Super High	3000	111.8 TW	22,500 TL (625 LPSF)	90 LPW	2700=.95/3000=1 /3500=1.01/4000/1.03

- The table above is a quick reference for all LP-SQ-FT.on 4x4. When calculating loads make sure you add direct and indirect LPW to get total wattage. Please refer to photometric report for detailed information.
- Our light engines are precisely designed for optimal operation of LED assemblies.
- Our standard LED's CCT (correlated color temperature) range is 2700K to 4000K. Other CCT values are available upon request.
- We log LED bin codes for each project we supply to ensure color consistency and keep a record of those projects for future reference.
- CRI offered is 80+, and 90+ Note: on 90+ CRI use .85 multiplier
- Tunable white, warm dim and other special LED colors available.
- We design our own printed circuit boards to ensure high luminescence efficiency, low thermal resistance and long-term reliable operation.
- Light engines are easily replaced.
- We use only recognized brand LED's with 3 SDCM (standard deviation color matching) with high color consistency. 2 SDCM available upon request.
- LRP - "LED Reel Program" – LED's for printed circuit boards come on reels' like old 8mm projectors and they're sold in lots just like fabric. At Picasso Lighting, we have a program where we make sure all of your reels come from the same lot for each project. This ensures excellent color consistency in large open spaces.
- LED life is rated at 50,000 hours
- Custom Lumens Available

Certifications & Warranties

Nubez _x_ Dropped Trimless

RECESSED STANDARD

TYPE

PROJECT

- Limited five-year (50,000 hours) warranty on all products. Limited ten-year (100,000 hours) warranty on all Lutron drivers.
- I.C. rated fixtures are available upon request.
- Chicago Plenum and IC products are available upon request.
- Warranty does not cover damage caused by transport, damage caused by using the fixture in an area it is not UL rated for, damage caused by negligence, lack of maintenance, attempts to repair by unqualified or unauthorized personnel, by using non-original accessories/parts, fixtures installed in systems without power surge protection.
- UL and CUL listed for dry and damp locations.
- IBEW USA Union All fixtures are IBEW manufactured and assembled in the USA.
- We manufacture based on approved spec sheets and submittals signed by professionals responsible. Change orders must be in writing and will delay delivery.
- Picasso Lighting must receive in writing any thought to be defective products discovered, no later than 4 weeks from delivery to; ttoledo@picassoltg.com. Picasso Lighting will send a field technician to the site to evaluate the said defective product. We do accept field repair from licensed electrical contractors but not without a written agreement signed by Picasso Lighting official. Failure to adhere to all warranty and certifications will void any recompense and the warranty.



Note: Picasso lighting industries, LLC reserves the right to make any design changes which will not affect the overall appearance or performance of the product. All ceilings to be adequately reinforced by others. All fixtures to be wired by licensed electrician only. The information contained herein is the sole property of Picasso Lighting Industries, LLC and may not be used without prior written consent of Picasso Lighting Industries, LLC. The 'USGBC member logo' is a trademark owned by the U.S. Green building council and is used by permission. The logo signifies only that Picasso Lighting Industries, LLC is a USGBC member; USGBC does not review, certify, or endorse the products or services offered by its members.