

CURVE PENDANT



INSTALLATION PROCEDURE

DO NOT DISCARD

PLEASE READ CAREFULLY BEFORE BEGINNING INSTALLATION.

Fixtures must be installed by licensed electricians in accordance with all local and national codes.

To prevent electrical shock, disconnect electrical supply before installing or servicing.

Before beginning installation, locate the following components. Gather required tools.

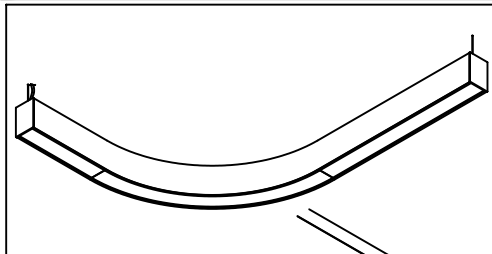


Fig. 1. Assembled fixture (individual fixture shown).

Locate clear properly lit area for fixture assembly. Area has to be large enough for complete fixture assembly. Some fixture parts, as lenses, are fragile. Pad area which might be in contact with fragile components.

Shipping boxes are clearly labeled with component context and number. Open boxes to recognize fixture components. Unpack and remove fixture components from boxes only before actual assembly to avoid damage.



Individual fixture installation

POWER OFF

NOTE: ALL FIXTURE COMPONENTS BOX TO BE INSTALLED AND WIRED ACCORDING TO NEC, FEDERAL AND LOCAL REGULATIONS BY CERTIFIED (QUALIFIED) ELECTRICIAN.

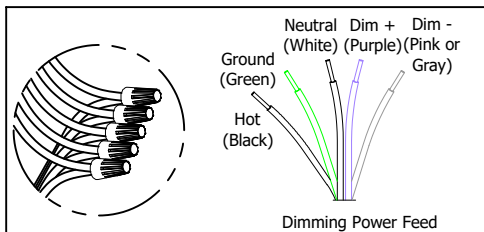


Fig. 1 Wiring details.

Individual fixture installation

1. Install support/power feed canopy (supplied with the fixture) to the junction box (by others). Splice power cord wires to the building wiring. Single circuit dimming splicing shown on Fig. 1 as a sample. Refer to 150-000046 and submittal drawing if supplied. Obey electrical codes and rules.

2. Install support canopy as required. See 150-000046 for details.

Note: supplied canopies (size, shape, and attachment) depend on order.

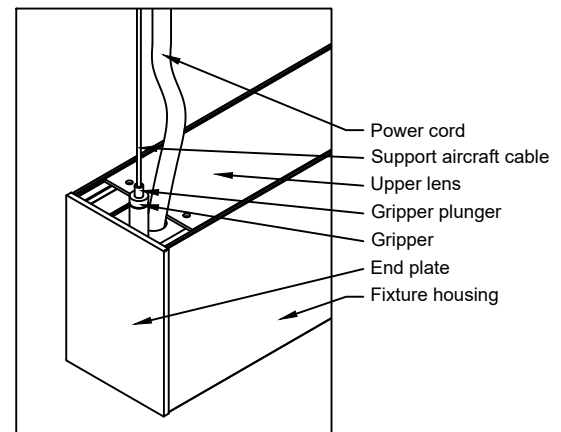


Fig. 2. Fixture suspension.

3. Start hanging fixture from power feed side. Insert aircraft support cable into fixture gripper by depressing gripper plunger. Repeat cable insertion from another side. Adjust fixture height as needed. Make sure fixture housing is on horizontal position unless otherwise required.
4. Fixture comes with power cord preinstalled. Adjust power cord length if needed. Attach power cord to aircraft cable with wire ties (supplied).

Installation and maintenance of the **Pendant fixture** may only be performed by qualified and licensed electricians in accordance with all applicable codes and standards. Picasso Lighting Industries, LLC assumes no responsibility or liability for any unauthorized changes or modifications to the **Pendant fixture**. The **Pendant fixture** is not intended for outdoor use. Picasso Lighting Industries, LLC. shall assume no responsibility or liability for the integrity of the mounting surface and structure as well as the integrity of all components not provided by Picasso Lighting Industries, LLC. Turn off line voltage and allow fixture to completely cool before performing any maintenance including routine cleaning of fixture. UV lamp is fragile, and should be handled accordingly while installing, replacing or providing maintenance to the fixture. Luminous flux and connected electrical load are subject to an initial tolerance of +/- 10%. Any component contained in this fixture can only be replaced by the manufacturer or an agent thereof.

Keep these **INSTALLATION INSTRUCTIONS** in a secure and readily accessible place for any future maintenance or for reference.

DO NOT DISCARD

Service Hotline: (201) 246-8188
Monday through Friday 9:00AM - 5:00PM

CURVE PENDANT



INSTALLATION PROCEDURE

DO NOT DISCARD

PLEASE READ CAREFULLY BEFORE BEGINNING INSTALLATION.

Fixtures must be installed by licensed electricians in accordance with all local and national codes.

To prevent electrical shock, disconnect electrical supply before installing or servicing.

Run/Pattern installation

POWER OFF

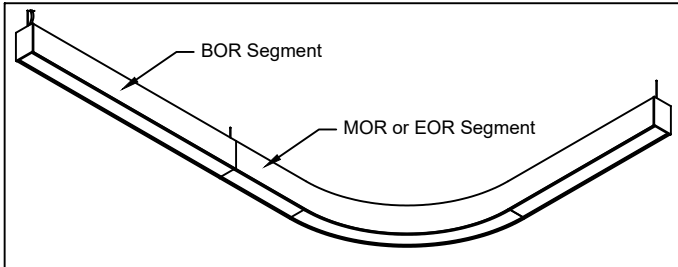


Fig. 3. Run assembled

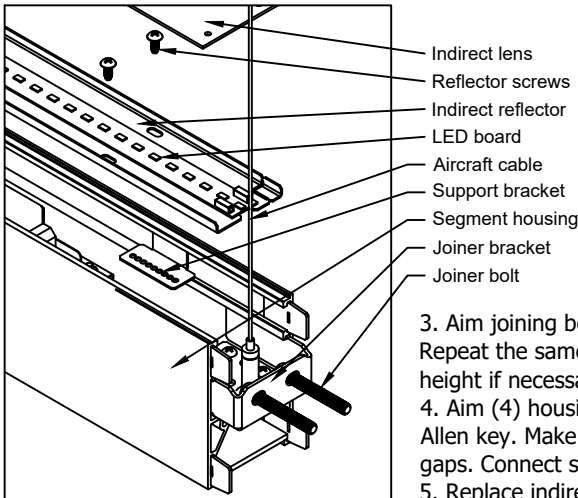


Fig. 4. Segment joining

Beginning of Row (BOR) installation

1. Install ceiling canopies as described on the page 1 for individual fixtures. Refer location of canopies to reflected ceiling plan (RCP) and/or submittal drawing if supplied.
2. Install BOR segment on two aircraft cables as shown on page 1. Connect power cable to the ceiling canopy. Splice as required.
3. Remove indirect lens and indirect light reflector with LED boards from BOR segment (Fig. 4). Handle with care, LED boards are fragile. Save reflector screws. Disconnect LED board quick disconnect. Reflector serves as a cover for fixtures with direct light only. All instruction steps (besides related to LED power) applied to direct only fixtures as well.

Middle of Row (MOR) and/or End of Row (EOR) installation

1. Repeat steps from the previous chapter for adjacent MOR or EOR segment.
2. Bring adjacent MOR/EOR segment to installed BOR segment. Hang MOR/EOR segment on one aircraft cable at the end. Make sure other segment's side (with nut bracket) is facing installed segment.
3. Aim joining bolt to PEM nut of adjacent section (see Fig. 6). Engage bolt with nut with a few threads. Repeat the same with another bolt/nut. Make sure adjacent housings are aligned properly. Adjust housing height if necessary.
4. Aim (4) housing aligners to adjacent housing grooves. Draw housings together. Tight joiner screws with Allen key. Make sure housings are fully connected without any gaps. Connect segment harnesses (see Fig. 7).
5. Replace indirect light reflectors (upper covers for direct only fixtures) and lenses. Adjust housing level if needed.
6. Repeat whole procedure for the rest of the run segments if any. Make sure all run (pattern) properly leveled and aligned.

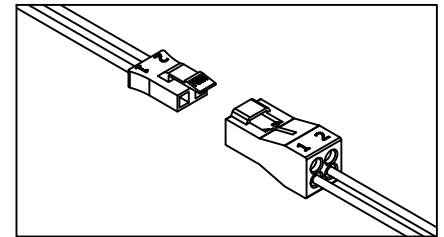


Fig. 5. LED board quick disconnect

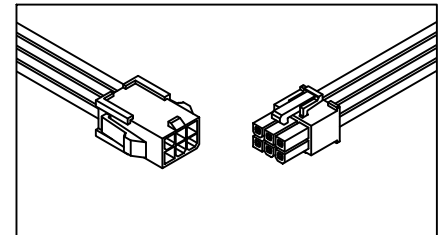


Fig. 7. Harness split

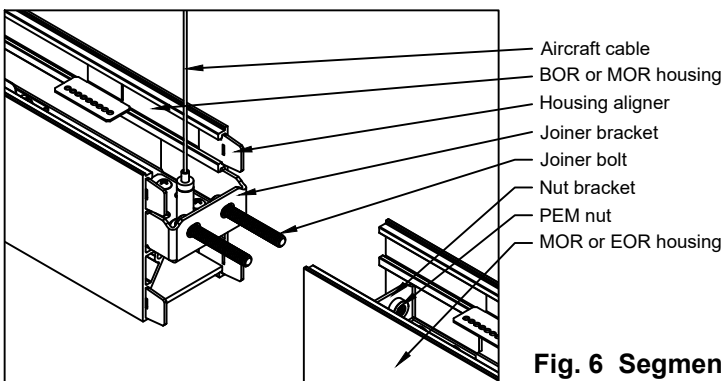


Fig. 6. Segment joining

Installation and maintenance of the **Pendant fixture** may only be performed by qualified and licensed electricians in accordance with all applicable codes and standards. Picasso Lighting Industries, LLC assumes no responsibility or liability for any unauthorized changes or modifications to the **Pendant fixture**. The **Pendant fixture** is not intended for outdoor use. Picasso Lighting Industries, LLC. shall assume no responsibility or liability for the integrity of the mounting surface and structure as well as the integrity of all components not provided by Picasso Lighting Industries, LLC. Turn off line voltage and allow fixture to completely cool before performing any maintenance including routine cleaning of fixture. UV lamp is fragile, and should be handled accordingly while installing, replacing or providing maintenance to the fixture. Luminous flux and connected electrical load are subject to an initial tolerance of +/- 10%. Any component contained in this fixture can only be replaced by the manufacturer or an agent thereof.

Keep these **INSTALLATION INSTRUCTIONS** in a secure and readily accessible place for any future maintenance or for reference.

DO NOT DISCARD

Service Hotline: (201) 246-8188
Monday through Friday 9:00AM - 5:00PM