

PMX4 series LED, Flush Lens 9/16" Tee Grid



INSTALLATION PROCEDURE, INDIVIDUAL UNITS

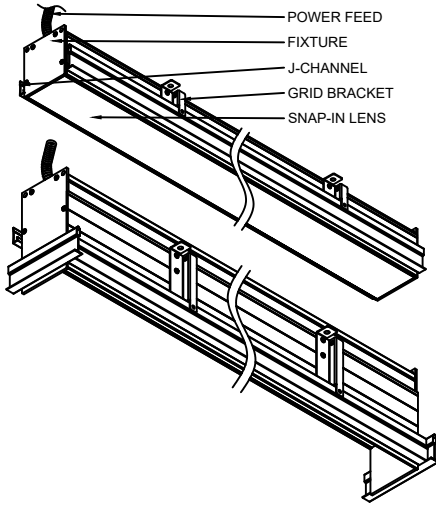
DO NOT DISCARD

PLEASE READ CAREFULLY BEFORE BEGINNING INSTALLATION.

Fixtures must be installed by licensed electricians in accordance with all local and national codes.

To prevent electrical shock, disconnect electrical supply before installing or servicing.

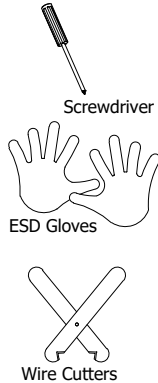
Before Beginning Installation, Locate The Following Components. Gather Required Tools.



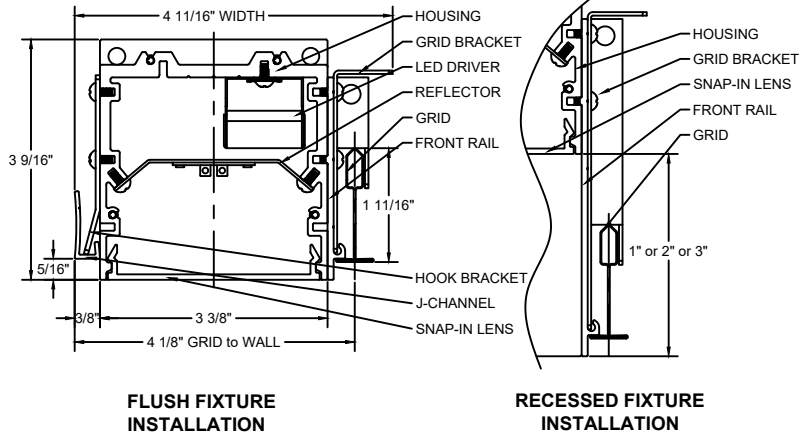
FLUSH FIXTURE INSTALLATION (SIDE GRID BEAMS NOT SHOWN)

RECESSED FIXTURE INSTALLATION (3" RECESSED SHOWN)

Tools Required (Not Provided)



**Service Hotline: (201) 246-8188
Monday through Friday 9:00AM - 5:00PM**



To Begin Installation:

POWER OFF

1

1. Install J-channel to the wall. Locate bottom of the channel 5/16" above the installed fixture housing bottom. J-channel comes in 8' and 4' increments. Installing contractor to cut j-channel to the size of the fixture or up to 6" shorter. Combine supplied J-channels if fixture is longer than 8'. J-channel to be centered to the fixture. J-channel has a groove for easier mounting screw location. Use #8 screws. Number and location of mounting screws has to be substantial to support the fixture weight.

2

2. Install the fixture to J-channel the way fixture hook is securely seats inside the J-channel. Push fixture to seat flush against the wall. Secure fixture to structural members using GRID bracket ϕ 5/16"holes. Secure GRID brackets to GRID with self-drilling screws (B.O.) if needed. Fixture has to be supported by j-channel and structural members, not GRID.

3

3. Temporarily remove lens and reflector assembly to gain power feed hole access. Save reflector mounting screws. Install power feed into ϕ 7/8" access plate hole.

4

4. Make connections as required in accordance with all applicable codes. Obey wire color codes (see on left). Replace reflector assembly. Use saved reflector mounting screws. Do not overtight screws, they could strip down aluminum housing. Skip step 3 if fixture supplied with optional whip.

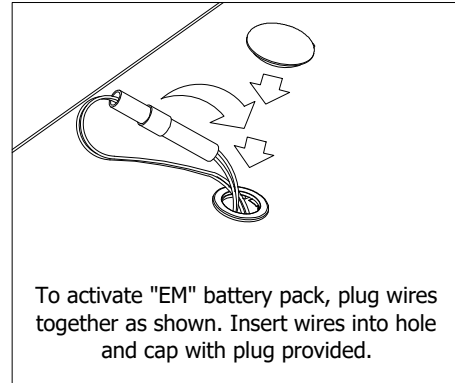
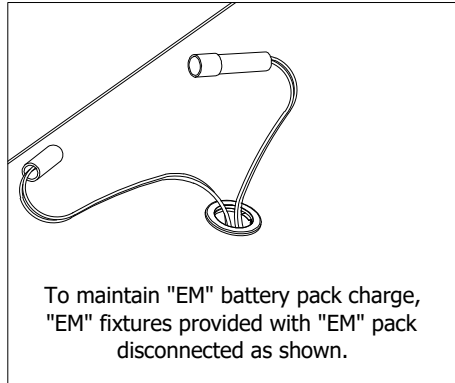
PMX4 series LED, Flush Lens 9/16" Tee Grid

INSTALLATION PROCEDURE, INDIVIDUAL UNITS



EM battery pack activation (optional)

POWER OFF



Service Hotline: (201) 246-8188
Monday through Friday 9:00AM - 5:00PM

Installation and maintenance of the PMX4 luminaire may only be performed by qualified and licensed electricians in accordance with all applicable codes and standards. Picasso Lighting Industries, LLC assumes no responsibility or liability for any unauthorized changes or modifications to the PMX4 luminaire. The PMX4 luminaire is not intended for outdoor use. Picasso Lighting Industries, LLC. shall assume no responsibility or liability for the integrity of the mounting surface and structure as well as the integrity of all components not provided by Picasso Lighting Industries, LLC. Turn off line voltage and allow luminaire to completely cool before performing any maintenance including routine cleaning of luminaire. Avoid touching LED light emitting surfaces while installing, replacing or providing maintenance to the luminaire. Luminous flux and connected electrical load are subject to an initial tolerance of +/- 10%. Color temperature (k) is subject to a tolerance of +/- 150k from the nominal value. Any component contained in this luminaire can only be replaced by the manufacturer or an agent thereof.

Keep these **INSTALLATION INSTRUCTIONS** in a secure and readily accessible place for any future maintenance or for reference.

DO NOT DISCARD
PLEASE READ CAREFULLY BEFORE BEGINNING INSTALLATION.