

Maya 2x4

RECESSED STANDARD

TYPE
PROJECT

Overview

- Patented aesthetically pleasing design coupled with balanced illumination
- Shallow housing depth satisfies most plenum requirements
- Optically-enhanced extruded diffusers effectively eliminate lamp images providing soft illumination
- 2x4



Ordering Format

PART NUMBER: MAY-R

Size	Lumens Direct	Lumens Indirect	CCT Available	CRI Available
2x4 = 24 x 48	DR45 = 4500 TL		27 = 2700 Kelvins 30 = 3000 Kelvins 35 = 3500 Kelvins 40 = 4000 Kelvins TW = Tunable White 2700-5000 Kelvins	80 = 80-85 CRI 90 = 90-95 CRI
Optics	Mounting	Driver / Voltage	Color	Options
PB = Perforated Basket	T2 = 15/16 Flat Tee (Flat Tile) T2 = 9/16 Flat Tee (Flat Tile) T1 = 9/16 Flat Tee (Tegular Tile) S = 9/16 Slot Grid Tee (Tegular Tile) S = 9/16 Interlude Tee (Tegular Tee) SF = Trimless F = Trim	ND = Non-Dim Universal 120-277VAC ZT = 0-10v Dimming Universal 120-277VAC 1% LE1 = Lutron EcoSystem 1% SoftOnFadeToBlack LE5 = Lutron EcoSystem 5% CC = Custom Control - add in notes	W = Standard White	OS = Occupancy Sensor WH = Whip 6' EMD = Emergency Driver - Battery Backup 120-277VAC

NOTES

ORDER NUMBER:

Construction & Mounting

HOUSING

Excellent design, precision-tooling and automated production is the combination that produces our troffer style housings. Most industry today uses pre-painted, folded 22 gauge steel. We use die formed 20 gauge steel with welded and sanded corners, that produce a seamless troffer with no light leaks. Ceiling thickness unrestricted.

REFLECTOR

Integral powder-coated LED housing with excessive reflectivity for increased lumen output

FINISH

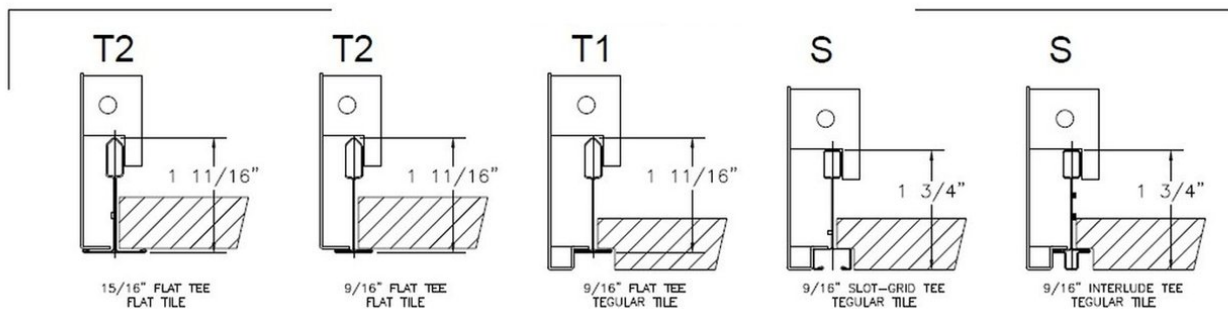
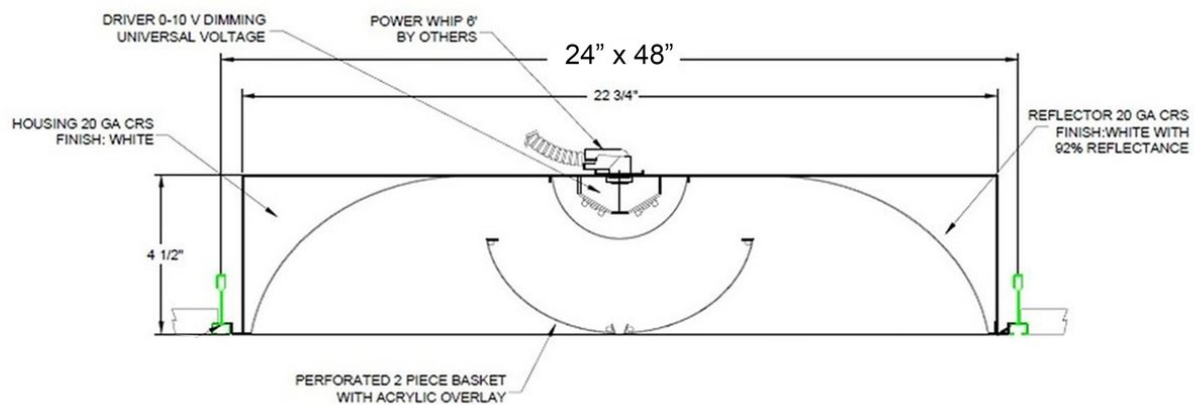
Standard powder-coated colors are white. Troffer style fixtures are not limited to white, consult factory for special applications.

OPTICS

Designed to enhance and maximize LED performance.

MOUNTING

Our recessed fixtures are made to be mounted in slot grid, T-bar and sheetrock ceilings. See mounting detail. Other ceiling types, please consult the factory, we can accommodate many different applications.



Electrical / Driver

- Drivers - Our drivers are specifically selected based on fixture application to ensure ultimate reliability and long life. We use only UL recognized brands of LED drivers. Our LED drivers feature HPF (high power factor), universal voltage 110 - 277 VAC and include 0-10V dimming. Please note, 277v has longer distances from power feed to power feed then 120v.
- If required, we can supply premium drivers such as Lutron, Eldoled and others upon request. Advanced control systems compliant drivers such as POE, DALI, DMX, etc. are also available, please consult factory.
- Rated life (90% survivorship) of 50,000 hours at 50° C max. ambient (and 70° C max. case) temperature. At maximum driver load: Efficiency >84%, PF>0.9, THD
- POE - We are working with Molex/Igor POE systems. We can add a POE driver into our fixtures or remote them. Based on the fixture you select, we will notify you (or you can contact the factory) to see if we can install the P-driver or the P-driver needs to be remote. Just add POE1 in the spec and we will advise. Please keep in mind you need to specify a complete POE control system before specifying POE1.
- Our LED drivers feature HPF (high power factor), universal voltage 110 - 277 VAC and include 0-10V dimming.
- Emergency drivers are factory installed as an option, long life, high temperature, recyclable Ni-Cad battery pack with test switch and charge indicator. EMR is minimum of 90 minutes operation to meet code.
- Whip - Six feet long, wiring RHOS/Reach Compliant, 18 gauge, 600v rated, Specify wired to the fixture as an OPTION.

LED Performance

LED Output	CCT Color Temp	Watts	Lumens	Lumens per Watt	CCT Multiplier
Medium	3000	52 TW	4500 TL	86 LPW	2700=.95/3000=1 /3500=1.01/4000/1.03

- The table above is a quick reference. When calculating loads make sure you add direct and indirect LPW to get total wattage. Please refer to photometric report for detailed information.
- Our light engines are precisely designed for optimal operation of LED assemblies.
- Our standard LED's CCT (correlated color temperature) range is 2700K to 4000K. Other CCT values are available upon request.
- We log LED bin codes for each project we supply to ensure color consistency and keep a record of those projects for future reference.
- CRI offered is 80+, and 90+ Note: on 90+ CRI use .85 multiplier
- Tunable white, warm dim and other special LED colors available.
- We design our own printed circuit boards to ensure high luminescence efficiency, low thermal resistance and long-term reliable operation.
- Light engines are easily replaced.
- We use only recognized brand LED's with 3 SDCM (standard deviation color matching) with high color consistency. 2 SDCM available upon request.
- LRP - "LED Reel Program" – LED's for printed circuit boards come on reels' like old 8mm projectors and they're sold in lots just like fabric. At Picasso Lighting, we have a program where we make sure all of your reels come from the same lot for each project. This ensures excellent color consistency in large open spaces.
- LED life is rated at 50,000 hours
- Custom Lumens Available

Certifications & Warranties

- Limited five-year (50,000 hours) warranty on all products.
- I.C. rated fixtures are available upon request.
- Change orders may effect delivery schedule.
- All fixtures are IBEW manufactured and assembled.
- UL and CUL listed for dry and damp locations.
- DLC® is a non-profit organization whose mission is to drive efficient lighting by defining quality, facilitating thought leadership, and delivering tools and resources to the lighting market through open dialogue and collaboration. We are currently getting our products listed with DLC. Products listed, will have DLC Logo.
- Chicago Plenum products are available upon request.
- Made in the U.S.A.



Note: Picasso lighting industries, LLC reserves the right to make any design changes which will not affect the overall appearance or performance of the product. All ceilings to be adequately reinforced by others. All fixtures to be wired by licensed electrician only. The information contained herein is the sole property of Picasso Lighting Industries, LLC and may not be used without prior written consent of Picasso Lighting Industries, LLC. The 'USGBC member logo' is a trademark owned by the U.S. Green building council and is used by permission. The logo signifies only that Picasso Lighting Industries, LLC is a USGBC member; USGBC does not review, certify, or endorse the products or services offered by its members.

Maya 2x4
RECESSED STANDARD

TYPE
PROJECT