

Overview

- Aesthetically pleasing design, no visible screws.
- One piece extruded aluminum housing with integral drivers
- Direct lighting only using linear only ,downlight only or a combination of both.
- Continuous row mounting, standard. L's,T's,X's are welded, sanded, and powder coated for clean seamless appearance.
- Can also be specified as surface ceiling or trimless in sheetrock.
- Various patterns available - consult factory
- Standard color white, black. custom wood, anodizing, RAL/Pantone#



Ordering Format

PART NUMBER: VAR

Size	Lumens Direct	Lumens Indirect	CCT Available	CRI Available
4 = 4 Feet	D3 = 350 LPF Linear Only		27 = 2700 Kelvins	80 = 80-85 CRI
6 = 6 Feet	D5 = 500 LPF Linear Only		30 = 3000 Kelvins	90 = 90-95 CRI
8 = 8 Feet	D7 = 750 LPF Linear Only		35 = 3500 Kelvins	
CL = Custom Length, add in notes	D10 = 1000 LPF Linear Only		40 = 4000 Kelvins	
	D3D12 = 350 LPF Linear / Downlight 1200 Lumens 30Degree		TW = Tunable White 2700-5000 Kelvins Linear Only	
	D5/D12 = 500 LPF Linear / Downlight 1200 Lumens 30Degree			
	D7/D12 = 750 LPF Linear / Downlight 1200 Lumens 30Degree			
	D10/D12 = 1000 LPF Linear / Downlight 1200 Lumens 30Degree			
	D12D = 1200 Lumens 30 Degree Downlight Only			
Optics	Mounting	Driver / Voltage	Color	Options
OW = Opal White	AC1 = 4' Cable 5in/5in J-Box	ND 1 = Non-Dim Universal 120VAC	W = Standard White	CWPB = Canopy White/Power Black
	ADC = 4' Cable 5in/2in Drop Ceiling	ND 2 = Non-Dim Universal 277VAC	BK = Standard Black	CBPW = Canopy Black/Power White
	ACU = 4' Cable/5in/Unistrut	ZT 1 = 0-10v dimming 120v dual 1%	SVR = Standard Silver	CBPB = Canopy Black/Power Black
	ACR = 4' Cable/5in/2in Wood/Cement	ZT 2 = 0-10v dimming 277v dual 1%	RAL = Enter RAL or Pantone in Notes	CA = Custom Angle, add in notes
	ACC = Custom Length , add in notes	CC = Custom Control - add in notes	DW/LW = See Wood PN# enter in notes	OS = Occupancy Sensor
	ST2 = 2' Stem, Canopy PF 5in + Sup 5in	LE 1 = Lutron EcoSystem 1% DLC EE CCR / PWM SoftOnFadeToBlack		EMD = Emergency Driver - Battery Backup 120-277VAC
	ST3 = 3' Stem, Canopy			I = Illuminated I

Vario

PENDANT

TYPE

PROJECT

	ST3 = 3' Stem, Canopy PF 5in + Sup 5in ST4 = 4' Stem, Canopy PF 5in + Sup 5in STC = Custom Length, add in notes	LE 5 = Lutron EcoSystem 5% DLC EE CCR	L = L = Illuminated L Corner Section X = X = Illuminated Cross Section T = T = Illuminated T Section
--	---	---	--

NOTES

ORDER NUMBER:

Construction & Mounting

HOUSING

Extruded aluminum housings are supplied in nominal lengths of 4 ft., 6 ft., 8 ft. Fixtures may be continuously rowed (contact factory for details). Internal components are constructed from min. 20-gauge die-formed steel. Easy access to driver and LED boards. We can supply many variations of liner, linear with downlights or downlight only. End caps are extruded aluminum. Custom sizes are available.

REFLECTOR

Integral powder-coated LED housing with excessive reflectivity for increased lumen output on linear. Downlight has specular reflector.

FINISH

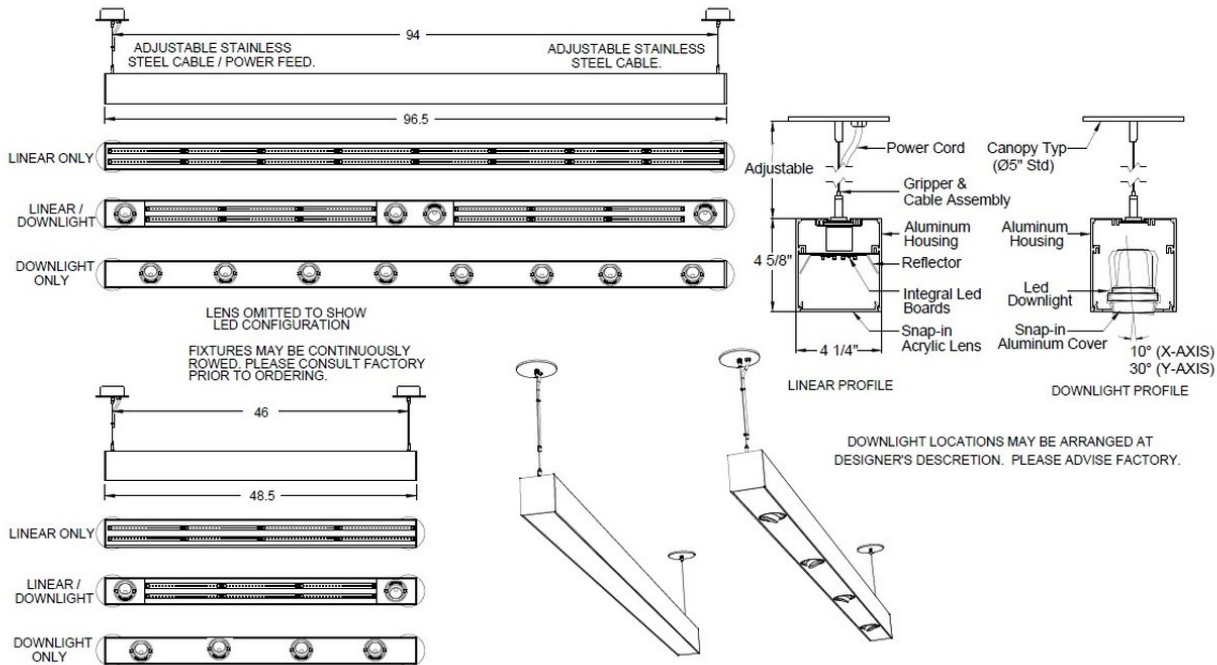
Standard powder-coated colors are white, black and silver. Custom processed wood finishes, aluminum anodized finishes, chrome/gold plating and custom finishes are available as well. We also accept RAL and Pantone numbers for powder-coating color choices.

OPTICS

Flush lens formulated for LED light sources. Downlight available in various beam spreads.

MOUNTING

Cable mounting with various size canopies and power feeds. If not selected in options, canopy color and cord will be white. Cable uses gripper style locking for field adjustments. Canopy mounts to standard J-box. Can also be stem mounted. See options for more information.



Electrical / Driver

- Drivers - Our drivers are specifically selected based on fixture application to ensure ultimate reliability and long life. We use only UL recognized brands of LED drivers. Our LED drivers feature HPF (high power factor), universal voltage 110 - 277 VAC and include 0-10V dimming. Please note, 277v has longer distances from power feed to power feed than 120v.
- If required, we can supply premium drivers such as Lutron, Eidoled and others upon request. Advanced control systems compliant drivers such as POE, DALI, DMX, etc. are also available, please consult factory.
- Rated life (90% survivorship) of 50,000 hours at 50° C max. ambient (and 70° C max. case) temperature. At maximum driver load: Efficiency >84%, PF>0.9, THD
- POE - We are working with Igor POE systems to either add a node into our fixtures or remote them. Based on the fixture you select, we will notify you (or you can contact the factory) to see if we can install the node or the node needs to be remote. Just add POE1 in the spec and we will advise. Please keep in mind you need to specify a complete POE control system before specifying POE1.
- Our LED drivers feature HPF (high power factor), universal voltage 110 - 277 VAC and include 0-10V dimming.
- Emergency drivers are factory installed as an option, long life, high temperature, recyclable Ni-Cad battery pack with test switch and charge indicator. EMR is minimum of 90 minutes operation to meet code.
- Whip - Six feet long, wiring RHOS/Reach Compliant, 18 gauge, 600v rated, Supplied, wired to the fixture as an option.

LED Performance

LED Output	CCT Color Temp	Watts	Lumens	Lumens per Watt	CCT Multiplier
Low	3000	4.28 WPF	350 LPF	81	2700=.95
Medium	3000	6.23 WPF	500 LPF	80	3000 = 1
High	3000	9.38 WPF	750 LPF	80	3500 = 1.01
Very High	3000	12.63 WPF	1000 LPF	80	4000 = 1.03

- The table above is a quick reference. When calculating loads make sure you add direct and indirect LPW to get total wattage. Please refer to photometric report for detailed information.
- Our light engines are precisely designed for optimal operation of LED assemblies.
- Our standard LED's CCT (correlated color temperature) range is 2700K to 4000K. Other CCT values are available upon request.
- We log LED bin codes for each project we supply to ensure color consistency and keep a record of those projects for future reference.
- CRI offered is 80+, and 90+ Note: on 90+ CRI use .85 multiplier
- Tunable white, warm dim and other special LED colors available.
- We design our own printed circuit boards to ensure high luminescence efficiency, low thermal resistance and long-term reliable operation.
- Light engines are easily replaced.
- We use only recognized brand LED's with 3 SDCM (standard deviation color matching) with high color consistency. 2 SDCM available upon request.
- LRP - "LED Reel Program" – LED's for printed circuit boards come on reels' like old 8mm projectors and they're sold in lots just like fabric. At Picasso Lighting, we have a program where we make sure all of your reels come from the same lot for each project. This ensures excellent color consistency in large open spaces.
- LED life is rated at 50,000 hours
- Custom Lumens Available

Certifications & Warranties

- Limited five-year (50,000 hours) warranty on all products.
- I.C. rated fixtures are available upon request.
- Change orders may effect delivery schedule.
- All fixtures are IBEW manufactured and assembled.
- UL and CUL listed for dry and damp locations.
- DLC® is a non-profit organization whose mission is to drive efficient lighting by defining quality, facilitating thought leadership, and delivering tools and resources to the lighting market through open dialogue and collaboration. We are currently getting our products listed with DLC. Products listed, will have DLC Logo.
- Chicago Plenum products are available upon request.
- Made in the U.S.A.



Vario

PENDANT

TYPE

PROJECT

Note: Picasso lighting industries, LLC reserves the right to make any design changes which will not affect the overall appearance or performance of the product. All ceilings to be adequately reinforced by others. All fixtures to be wired by licensed electrician only. The information contained herein is the sole property of Picasso Lighting Industries, LLC and may not be used without prior written consent of Picasso Lighting Industries, LLC. The 'USGBC member logo' is a trademark owned by the U.S. Green building council and is used by permission. The logo signifies only that Picasso Lighting Industries, LLC is a USGBC member; USGBC does not review, certify, or endorse the products or services offered by its members.