

Max 2.5 Flush Lens

RECESSED

TYPE
PROJECT

Overview

- Recessed 2.5 inch LED linear flush lens
- Sleek, slender contemporary design
- Easy access to driver
- T-Grid, slot, drywall



Ordering Format

PART NUMBER: MX2-RF

Size	Lumens Direct	Lumens Indirect	CCT Available	CRI Available
2 = 2 Feet	D3 = 350 LPF		27 = 2700 Kelvins	80 = 80-85 CRI
4 = 4 Feet	D5 = 500 LPF		30 = 3000 Kelvins	90 = 90-95 CRI
6 = 6 Feet	D7 = 750 LPF		35 = 3500 Kelvins	
8 = 8 Feet			40 = 4000 Kelvins	
10 = 10 Feet			TW = Tunable White 2700-5000 Kelvins	
12 = 12 Feet				
CL = Custom Length, add in notes				
Optics	Mounting	Driver / Voltage	Color	Options
FW = Frosted White	S = 9/16 Slot Grid T = T-Bar 9/16 and 15/16 SF = Spackle Flange	ND = Non-Dim Universal 120-277VAC ZT = 0-10v Dimming Universal 120-277VAC CC = Custom Control - add in notes	W = Standard White	OS = Occupancy Sensor WH = Whip 6' EMD = Emergency Driver - Battery Backup 120-277VAC

NOTES

ORDER NUMBER:

Max 2.5 Flush Lens

RECESSED

TYPE
PROJECT

Construction & Mounting

HOUSING

Extruded aluminum housings are supplied in nominal lengths of 2-12 feet for your recessed application. Fixtures may be continuously rowed (contact factory for details). Internal components are constructed from min. 20-gauge die-formed steel. Easy access to driver and LED boards. Custom sizes are available. Ceiling thickness unrestricted.

REFLECTOR

Integral powder-coated LED housing with excessive reflectivity for increased lumen output

FINISH

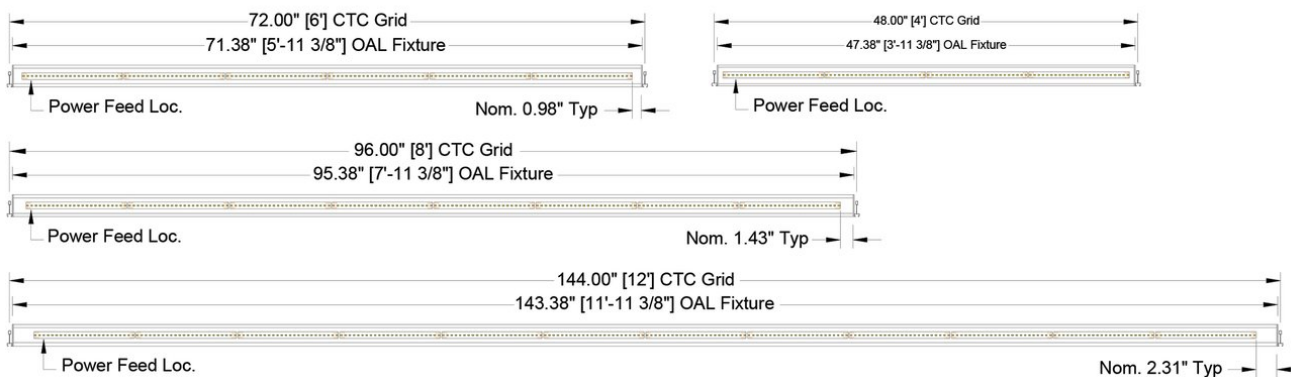
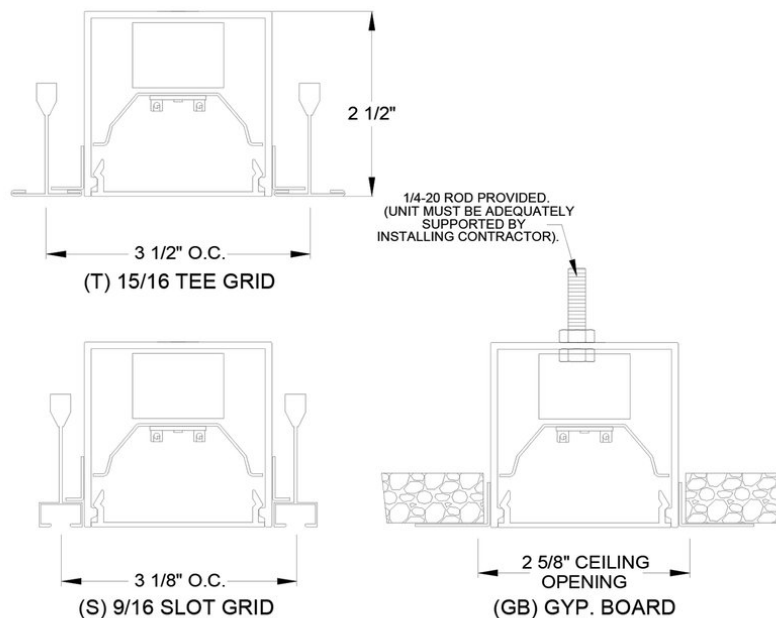
Standard powder-coated colors are white. Troffer style fixtures are not limited to white, consult factory for special applications.

OPTICS

Extruded frosted acrylic snap-in lens formulated for LED light sources.

MOUNTING

Our recessed fixtures are made to be mounted in slot grid, T-bar and sheetrock ceilings. See mounting detail. Other ceiling types, please consult the factory, we can accommodate many different applications.



Max 2.5 Flush Lens

RECESSED

TYPE
PROJECT

Electrical / Driver

- Our drivers are specifically selected based on fixture application to ensure ultimate reliability and long life. We use only UL recognized brands of LED drivers.
- If required, we can supply premium drivers such as Lutron, Eldoled and others upon request. Advanced control systems compliant drivers such as POE, DALI, DMX, etc. are also available.
- Rated life (90% survivorship) of 50,000 hours at 50° C max. ambient (and 70° C max. case) temperature. At maximum driver load: Efficiency >84%, PF>0.9, THD
- Our LED drivers feature HPF (high power factor), universal voltage 110 - 277 VAC and include 0-10V dimming.
- Emergency drivers are factory installed, long life, high temperature, recyclable Ni-Cad battery pack with test switch and charge indicator. EMR is minimum of 90 minutes operation to meet code.

LED Performance

LED Output	CCT Color Temp	Watts	Lumens	Lumens per Watt	CCT Multiplier
Low	3000	4.8 WPF	350 LPF	73	2700 = .95
Medium	3000	6.3 WPF	500 LPF	80	3000 = 1
High	3000	9.63 WPF	750 LPF	78	3500 = 1.01

- The table above is a quick reference. When calculating loads make sure you add direct and indirect LPW to get total wattage. Please refer to photometric report for detailed information.
- Our light engines are precisely designed for optimal operation of LED assemblies.
- Our standard LED's CCT (correlated color temperature) range is 2700K to 4000K. Other CCT values are available upon request.
- We log LED bin codes for each project we supply to ensure color consistency and keep a record of those projects for future reference.
- CRI offered is 80+, and 90+ Note: on 90+ CRI use .85 multiplier
- Tunable white, warm dim and other special LED colors available.
- We design our own printed circuit boards to ensure high luminescence efficiency, low thermal resistance and long-term reliable operation.
- Light engines are easily replaced.
- We use only recognized brand LED's with 3 SDCM (standard deviation color matching) with high color consistency. 2 SDCM available upon request.
- LRP - "LED Reel Program" – LED's for printed circuit boards come on reels' like old 8mm projectors and they're sold in lots just like fabric. At Picasso Lighting, we have a program where we make sure all of your reels come from the same lot for each project. This ensures excellent color consistency in large open spaces.
- LED life is rated at 50,000 hours
- Custom Lumens Available

Certifications & Warranties

- Limited five-year (50,000 hours) warranty on all products.
- We can produce I.C. rated fixtures upon request.
- We are IBEW manufactured and assembled
- UL and CUL listed for dry and damp locations.
- Chicago Plenum products are available upon request.
- Made in the U.S.A.



Note: Picasso lighting industries, LLC reserves the right to make any design changes which will not affect the overall appearance or performance of the product. All ceilings to be adequately reinforced by others. All fixtures to be wired by licensed electrician only. The information contained herein is the sole property of Picasso Lighting Industries, LLC and may not be used without prior written consent of Picasso Lighting Industries, LLC. The 'USGBC member logo' is a trademark owned by the U.S. Green building council and is used by permission. The logo signifies only that Picasso Lighting Industries, LLC is a USGBC member; USGBC does not review, certify, or endorse the products or services offered by its members.