

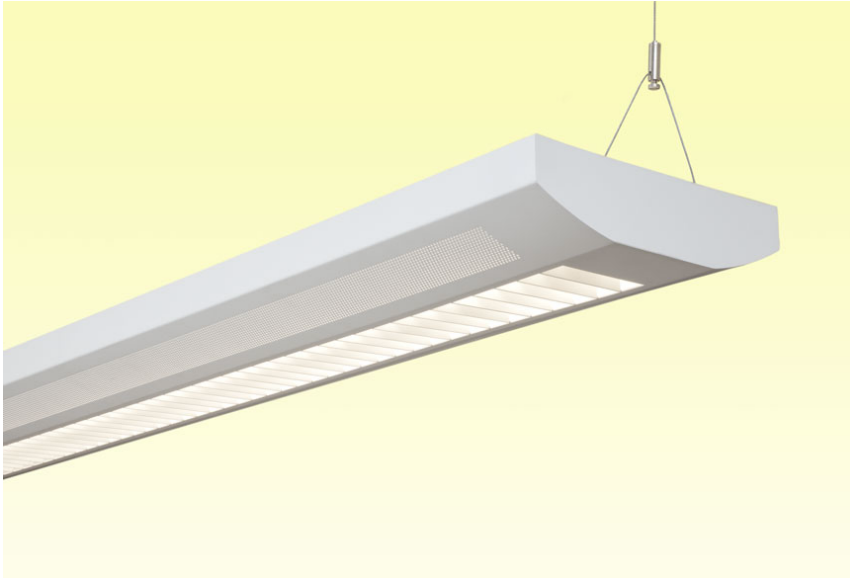
SUSPENDED

## JESSICA 2 SERIES

SUSPENDED DIRECT / INDIRECT LUMINAIRE

FIXTURE TYPE

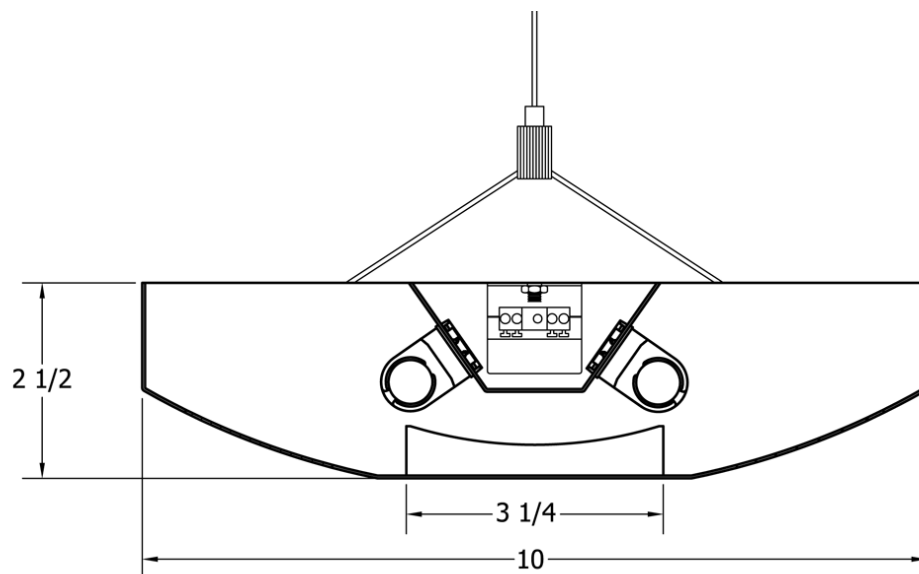
PROJECT



### PRODUCT FEATURES

- Suspended direct indirect fixture with integral baffle.
- One piece rigid die formed steel housing.
- Cross baffle downlight component.
- Can be specified with T5 or T8 lamps
- 60% up/40% downlight distribution

### FIXTURE DETAILS



**PICASSO LIGHTING INDUSTRIES, LLC**

46 Sellers Street, Kearny, NJ 07032 T 201.246.8188 F 201.246.8122 www.picassoltg.com ©2013 Picasso Lighting Industries, LLC

# SPECIFICATIONS

- HOUSING** Die formed 20 gauge cold rolled steel with intergal baffle.
- MOUNTING** Specify 48" adjustable aircraft cable or pendants.
- FINISH** High reflectance powder coated matte white.
- BALLAST** Electronic ballast universal voltage (120V-277V).
- LAMPS** T5 and T8. (See ordering format for lamp configurations.)
- SHIELDING** 3/4" high x 1" OC cross baffle
- LABELING** UL/CUL Listed. I.B.E.W. (Local 3). Made in the U.S.A.

# PHOTOMETRICS

IES Report for Catalog Number JES2-4-228W T5-ELB, Lamps 2-28W T5

Polar curve	Coefficients of Utilization - Zonal Cavity Method Effective Floor Cavity Reflectance .20														Zonal Lumen Summary								
	RC	80				70				50				30		10		0	Zone	Lumens	%Lamp	%Fixt	
	RW	70	50	30	10	70	50	30	10	50	30	10	50	30	10	50	30	10	0				
<p>0 Deg plane: _____ 90 Deg plane: _____</p>	0	89	89	89	89	81	81	81	81	66	66	66	52	52	52	39	39	39	33	0-30	559	9.6	11.4
	1	81	77	74	71	73	70	67	65	57	55	53	45	44	43	32	32	32	28	0-40	851	14.7	17.3
	2	74	67	62	58	67	61	57	53	50	47	44	40	37	35	27	27	27	23	0-60	1459	25.2	29.7
	3	67	59	53	48	61	54	48	44	44	40	37	35	32	30	22	22	22	19	0-90	1929	33.3	39.2
	4	61	52	45	40	55	47	42	37	39	35	31	31	28	25	19	19	19	16	90-120	886	15.3	18.0
	5	56	46	39	34	51	42	36	32	35	30	27	28	24	22	16	16	16	14	90-150	2259	38.9	45.9
	6	52	41	35	30	47	38	32	27	31	27	23	25	22	19	14	14	14	12	90-180	2986	51.5	60.8
	7	48	37	31	26	43	34	28	24	28	24	20	23	19	17	13	13	13	11	0-180	4915	84.7	100.0
	8	44	34	27	23	40	31	25	21	26	21	18	21	17	15	11	11	11	10				
	9	41	31	24	20	37	28	23	19	24	19	16	19	16	13	10	10	10	9				
10	38	28	22	18	35	26	21	17	22	17	15	18	14	12	9	9	9	8					

**TOTAL LUMINAIRE EFFICIENCY: 85.2%**  
**LUMINAIRE EFFICIENCY RATING: 75**

# ORDERING FORMAT

SERIES	SIZE	LAMPING	MOUNTING	BALLAST	VOLTAGE	OPTIONS
Jessica2	4':4  8':8	2-28W T5 2-32W T8 2-54W T5HO  4-28W T5 4-32W T8 4-54W T5HO	AK:Aircraft cable kit PK:Pendant kit	ELB:Electronic ELB/DIM:Dimming	UE:120V-277V	CC:Custom color EM:Emergency battery-specify voltage LPI:Lamps supplied by others/installed by Picasso PTW:Plug thru wiring SC:Separate circuit

YOUR ORDER

JES2

Note: Picasso lighting industries, LLC reserves the right to make any design changes which will not affect the overall appearance or performance of the product. All ceilings to be adequately reinforced by others. All fixtures to be wired by licensed electrician only. The information contained herein is the sole property of Picasso Lighting Industries, LLC and may not be used without prior written consent of Picasso Lighting Industries, LLC. The 'USGBC member logo' is a trademark owned by the U.S. Green building council and is used by permission. The logo signifies only that Picasso Lighting Industries, LLC is a USGBC member; USGBC does not review, certify, or endorse the products or services offered by its members.



**PICASSO LIGHTING INDUSTRIES, LLC**

46 Sellers Street, Kearny, NJ 07032 T 201.246.8188 F 201.246.8122 www.picassoltg.com ©2013 Picasso Lighting Industries, LLC