

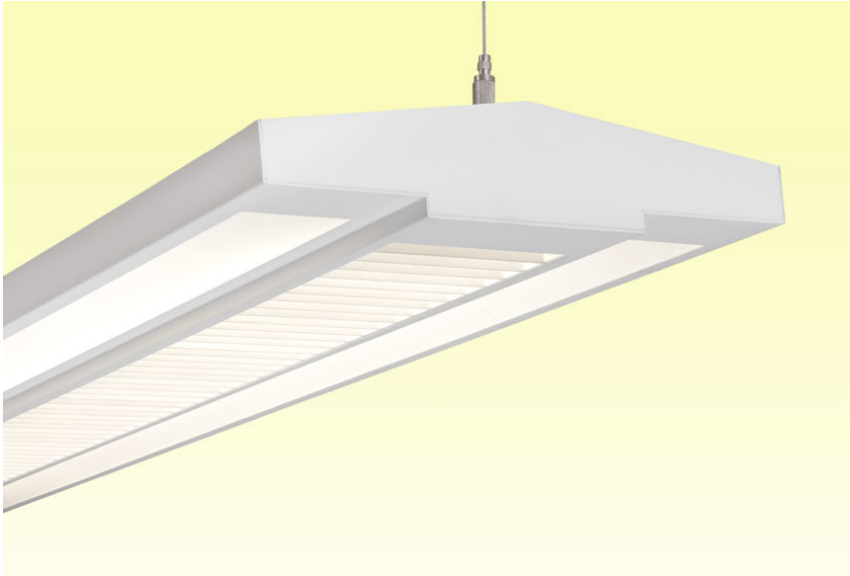
SUSPENDED

SANDRA SERIES

SUSPENDED DIRECT / INDIRECT LUMINAIRE

FIXTURE TYPE

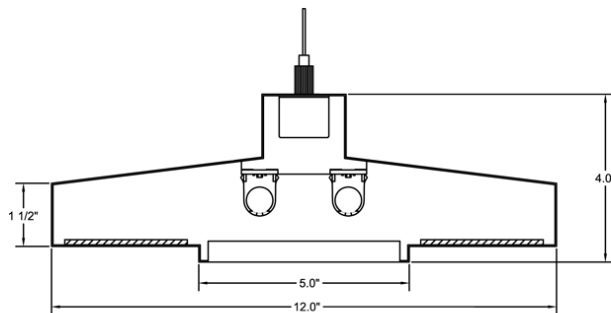
PROJECT



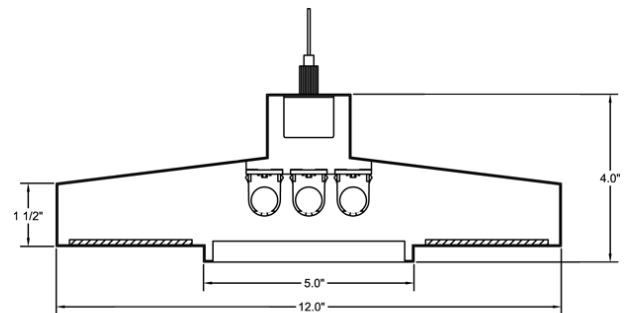
PRODUCT FEATURES

- Suspended direct indirect fixture with clean modern lines
- Opal acrylic lens on sides, cross baffle in center. Optional shielding available
- 4' and 8' housing for continuous row mounting
- Can be specified with T5 or T8 Lamps
- Ideal for schools and open office applications
- 17% up/83% downlight distribution

FIXTURE DETAILS



TWO LIGHT



THREE LIGHT

SPECIFICATIONS

- HOUSING** Die formed 20 gauge cold rolled steel with 17% up light.
- MOUNTING** Specify 48" adjustable aircraft cable or pendants.
- SHIELDING** Center cross baffle with opal acrylic on either side, optional shielding available
- FINISH** High reflectance powder coated matte white
- BALLAST** Electronic ballast universal voltage (120V-277V)



PICASSO LIGHTING INDUSTRIES, LLC

46 Sellers Street, Kearny, NJ 07032 T 201.246.8188 F 201.246.8122 www.picassoltg.com ©2014 Picasso Lighting Industries, LLC

LAMPS T5 and T8 (see ordering format for lamp configurations)
 LABELING UL/CUL Listed. I.B.E.W. (Local 3). Made in the U.S.A
 MEMBERS U.S. Green Building Council, IESNA sustaining member

PHOTOMETRICS

IES Report for Catalog Number SAN-4-228W T5, Lamps 2-28W T5

Polar curve	Coefficients of Utilization - Zonal Cavity Method Effective Floor Cavity Reflectance .20													Zonal Lumen Summary									
	RC	80			70			50			30			10			0			Zone	Lumens	%Lamp	%Fixt
	RW	70	50	30	10	70	50	30	10	50	30	10	50	30	10	50	30	10	0				
<p>0 Deg plane: _____ 90 Deg plane: _____</p>	0	86	86	86	86	82	82	82	82	76	76	76	70	70	70	64	64	64	62	0-30	1171	20.2	27.1
	1	79	75	72	70	75	72	70	67	67	65	63	62	60	59	54	54	54	52	0-40	1817	31.3	42.0
	2	72	66	62	58	69	64	60	56	59	56	53	55	52	50	46	46	46	44	0-60	2940	50.7	68.0
	3	66	59	53	49	63	57	51	47	53	48	45	49	45	42	39	39	39	38	0-90	3570	61.5	82.6
	4	61	52	46	42	58	50	45	41	47	42	39	44	40	37	34	34	33	33	90-120	166	2.9	3.8
	5	56	47	41	36	53	45	40	35	42	37	34	40	35	32	30	30	29	29	90-150	544	9.4	12.6
	6	52	42	36	32	50	41	35	31	38	33	30	36	32	29	26	26	26	26	90-180	754	13.0	17.4
	7	48	39	32	28	46	37	32	28	35	30	27	33	29	26	23	23	23	23	0-180	4324	74.5	100.0
	8	45	35	29	25	43	34	29	25	32	27	24	30	26	23	21	21	21	21	TOTAL LUMINAIRE EFFICIENCY: 74.7%			
	9	42	32	27	23	40	32	26	22	30	25	22	28	24	21	19	19	19	19	LUMINAIRE EFFICIENCY RATING: 66			
	10	39	30	24	21	38	29	24	20	28	23	20	26	22	19	17	17	17	17	PLANE: 0° 90°			
																				SPACING CRITERIA: 1.08 1.12			
																				LUMINOUS SIZE: 4 1			

ORDERING FORMAT

SERIES	SIZE	LAMPING	MOUNTING	BALLAST	VOLTAGE	OPTIONS
Sandra	4:4'	1-28W T5 1-54W T5 HO 2-28W T5 2-32W T8 2-54W T5 HO 3-28W T5 3-54W T5 HO	AC:Aircraft cable kit PK:Pendant kit	ELB:Electronic ELB/DIM:Dimming-Specify type and voltage	UE:120V-277V	CC:Custom colors EM:Emergency Battery-Specify voltage LPI:Lamps supplied by others/installed by Picasso PTW:Plug thru wiring SC:Separate circuit
	8:8'	1-28W T5 1-54W T5 HO 2-28W T5 2-32W T8 2-54W T5 HO 3-28W T5 3-54W T5 HO				

YOUR ORDER

SAN						
-----	--	--	--	--	--	--

Note: Picasso lighting industries, LLC reserves the right to make any design changes which will not affect the overall appearance or performance of the product. All ceilings to be adequately reinforced by others. All fixtures to be wired by licensed electrician only. The information contained herein is the sole property of Picasso Lighting Industries, LLC and may not be used without prior written consent of Picasso Lighting Industries, LLC. The 'USGBC member logo' is a trademark owned by the U.S. Green building council and is used by permission. The logo signifies only that Picasso Lighting Industries, LLC is a USGBC member; USGBC does not review, certify, or endorse the products or services offered by its members.



PICASSO LIGHTING INDUSTRIES, LLC

46 Sellers Street, Kearny, NJ 07032 T 201.246.8188 F 201.246.8122 www.picassoltg.com ©2014 Picasso Lighting Industries, LLC