

SUSPENDED

JOSEPH SERIES

ASYMETRIC

FIXTURE TYPE

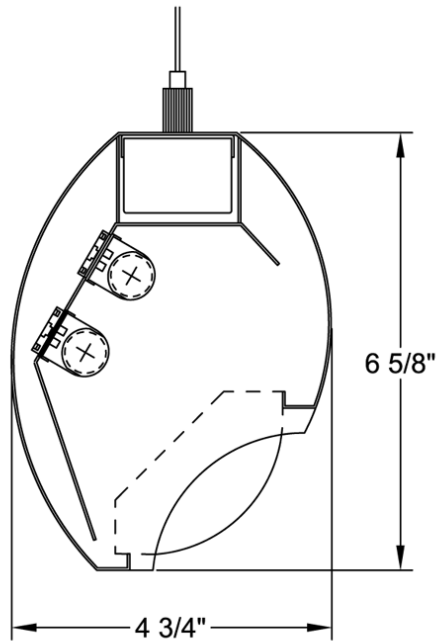
PROJECT



PRODUCT FEATURES

- Optimized for vertical illumination
- Ideal for classroom blackboards
- Excellent brightness control and beam spread

FIXTURE DETAILS



SPECIFICATIONS

- HOUSING** Die formed 20 gauge cold rolled steel
- MOUNTING** Specify 48" adjustable aircraft cable or pendants
- FINISH** High reflectance powder coated matte white
- BALLAST** Electronic ballast universal voltage (120V-277V).
- LAMPS** One or two T5 (See ordering format for lamp configurations.)
- SHIELDING** 1 1/2" high x 1" OC radial cross baffle
- LABELING** UL/CUL Listed. I.B.E.W. (Local 3). Made in the U.S.A.

PHOTOMETRICS

IES Report for Catalog Number JOE-4-228W T5, Lamps 2-28W T5

Polar curve	Coefficients of Utilization - Zonal Cavity Method Effective Floor Cavity Reflectance .20														Zonal Lumen Summary								
	RC	80				70				50				30		10		0	Zone	Lumens	%Lamp	%Fixt	
	RW	70	50	30	10	70	50	30	10	50	30	10	50	30	10	50	30	10	0				
<p>0 Deg plane: _____ 90 Deg plane: _____</p>	0	57	57	57	57	55	55	55	55	52	52	52	49	49	49	46	46	46	45	0-30	684	11.8	24.5
	1	51	48	46	43	49	46	44	42	44	42	40	41	40	38	36	36	36	35	0-40	1082	18.7	38.7
	2	46	41	38	35	44	40	37	34	38	35	33	36	33	31	29	29	29	29	0-60	1832	31.6	65.5
	3	42	36	32	29	40	35	31	28	33	30	27	31	29	26	24	24	24	24	0-90	2573	44.4	92.0
	4	38	32	28	24	37	31	27	24	29	26	23	28	25	22	21	21	21	20	90-120	212	3.7	7.6
	5	35	29	24	21	34	28	24	21	26	23	20	25	22	19	18	18	18	18	90-150	224	3.9	8.0
	6	32	26	21	18	31	25	21	18	24	20	17	23	19	17	16	16	16	15	90-180	224	3.9	8.0
	7	30	23	19	16	29	23	19	16	22	18	15	21	18	15	14	14	14	14	0-180	2797	48.2	100.0
	8	28	21	17	14	27	21	17	14	20	16	14	19	16	14	12	12	12	12				
	9	26	20	16	13	25	19	15	13	18	15	13	18	14	12	11	11	11	11				
10	25	18	14	12	24	18	14	12	17	14	11	16	13	11	10	10	10	10					

TOTAL LUMINAIRE EFFICIENCY: 48.2%
LUMINAIRE EFFICIENCY RATING: 43

ORDERING FORMAT

SERIES	SIZE	LAMPING	MOUNTING	BALLAST	VOLTAGE	OPTIONS
Joseph	4:4'	1-28W T5 1-54W T5HO 2-28W T5 2-54W T5HO	AK:Aircraft cable kit PK:Pendant mounting	ELB:Electronic ELB/DIM:Dimming-specify type and voltage	UE:120V-277V	CC:Custom colors EM:Emergency battery-specify voltage LPI:Lamps supplied by others/installed by Picasso PTW:Plug thru wiring SC:Separate circuit
	8:8'	1-28W T5 1-54W T5HO 2-28W T5 2-54W T5HO				

YOUR ORDER

JOE						
-----	--	--	--	--	--	--

Note: Picasso lighting industries, LLC reserves the right to make any design changes which will not affect the overall appearance or performance of the product. All ceilings to be adequately reinforced by others. All fixtures to be wired by licensed electrician only. The information contained herein is the sole property of Picasso Lighting Industries, LLC and may not be used without prior written consent of Picasso Lighting Industries, LLC. The 'USGBC member logo' is a trademark owned by the U.S. Green building council and is used by permission. The logo signifies only that Picasso Lighting Industries, LLC is a USGBC member; USGBC does not review, certify, or endorse the products or services offered by its members.



PICASSO LIGHTING INDUSTRIES, LLC

46 Sellers Street, Kearny, NJ 07032 T 201.246.8188 F 201.246.8122 www.picassoltg.com ©2013 Picasso Lighting Industries, LLC