

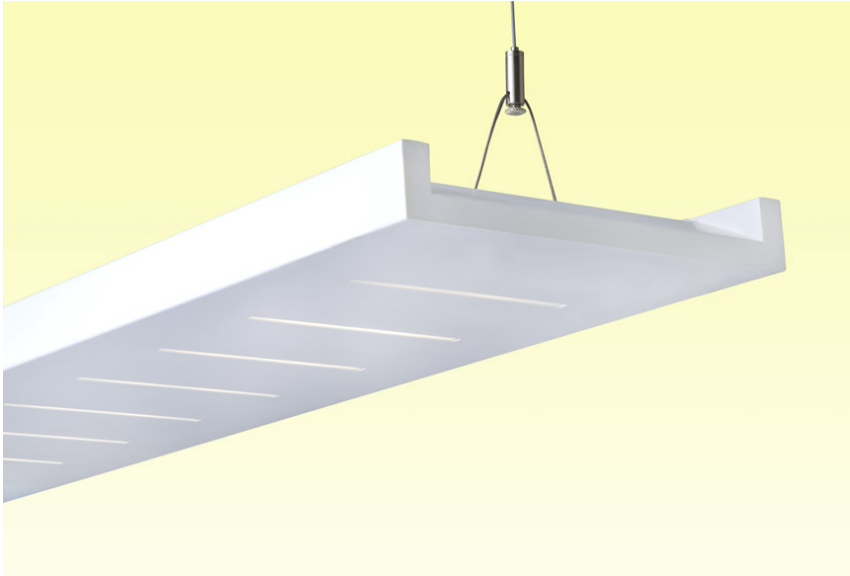
SUSPENDED

CHARLES SERIES

SUSPENDED DIRECT / INDIRECT LUMINAIRE

FIXTURE TYPE

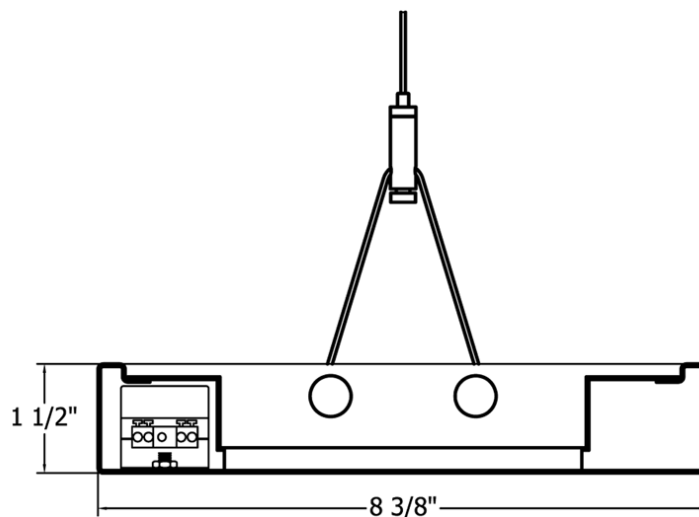
PROJECT



PRODUCT FEATURES

- Minimal contemporary profile
- Floating end detail
- Wide efficient beam spread
- Ideal for schools and open office applications
- 95% up/5% downlight distribution

FIXTURE DETAILS



SPECIFICATIONS

- HOUSING** Die formed 20 gauge cold rolled steel with minimal downlight slots
- MOUNTING** Specify 48" adjustable aircraft cable or pendants.



PICASSO LIGHTING INDUSTRIES, LLC

46 Sellers Street, Kearny, NJ 07032 T 201.246.8188 F 201.246.8122 www.picassoltg.com ©2013 Picasso Lighting Industries, LLC

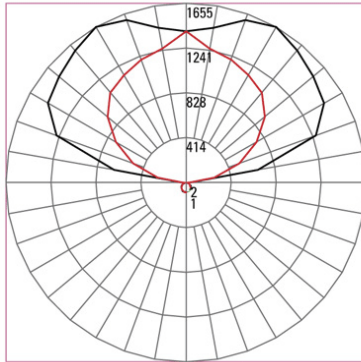
FINISH High reflectance powder coated matte white.
BALLAST Electronic ballast universal voltage (120V-277V).
LAMPS T5 and T8 (See ordering format for lamp configurations).
LABELING UL Listed, I.B.E.W.(Local 3) made in the U.S.A.
MEMBERS U.S. Green Building Council, IESNA sustaining member.

PHOTOMETRICS

IES Report for Catalog Number CHA-4-254W T5HO, Lamps 2-54W-T5HO

IES INDOOR REPORT PHOTOMETRIC FILENAME CHA-4-254W T5-HO.IES

POLAR GRAPH



— # 1 Vertical Plane Through Horizontal Angles (90 -270)
 — # 2 Vertical Plane Through Horizontal Angles (0 -180)

COEFFICIENTS OF UTILIZATION – ZONAL CAVITY METHOD

Effective Floor Cavity Reflectance 0.20

RC	80				70				50				30				10				0	
	70	50	30	10	70	50	30	10	50	30	10	50	30	10	50	30	10	50	30	10	0	
0	65	65	65	65	56	56	56	56	39	39	39	24	24	24	9	9	9	3				3
1	59	56	54	51	51	48	46	45	34	33	32	20	20	19	8	8	8	2				2
2	54	49	45	42	46	42	39	36	30	28	26	18	17	16	7	7	6	2				2
3	49	43	38	35	42	37	33	30	26	24	22	16	15	13	6	6	5	1				1
4	45	38	33	29	38	33	29	26	23	20	18	14	13	11	6	5	5	1				1
5	41	34	28	25	35	29	25	22	20	18	16	12	11	10	5	4	4	1				1
6	37	30	25	21	32	26	22	19	18	15	13	11	10	8	4	4	3	1				1
7	34	27	22	18	29	23	19	16	16	14	12	10	8	7	4	3	3	1				1
8	32	24	19	16	27	21	17	14	15	12	10	9	8	6	4	3	3	1				1
9	29	22	17	14	25	19	15	12	13	11	9	8	7	6	3	3	2	1				1
10	27	20	15	12	23	17	13	11	12	10	8	8	6	5	3	3	2	1				1

ZONAL LUMEN SUMMARY

Zone	Lumens	%Lamp	%Fixt
0-30	70.05	.7	1
0-40	114.6	1.1	1.7
0-60	201.69	2	3
0-90	283.42	2.8	4.2
90-120	2185.28	21.9	32.4
90-130	3290.66	32.9	48.8
90-150	5256.13	52.6	77.9
90-180	6460.55	64.6	95.8
0-180	6743.97	67.4	100

TOTAL LUMINAIRE EFFICIENCY: 67.4%
LUMINAIRE EFFICACY RATING: 57

* Visit our website www.picassoltg.com to download IES files and Photometric Reports.
 * Please consult with Picasso Lighting for application layouts.

ORDERING FORMAT

SERIES	SIZE	LAMPING	MOUNTING	BALLAST	VOLTAGE	OPTIONS
Charles	4:4'	1-28W T5 1-32W T8 1-54W T5HO 2-28W T5 2-32W T8 2-54W T5HO	AK: Aircraft cable kit PK: Pendant kit	ELB: Electronic ELB/DIM: Dimming-Specify type and voltage	UE: 120V-277V	CC: Custom colors EM: Emergency Battery-Specify Voltage LPI: Lamps supplied by others/installed by Picasso PTW: Plug Thru Wiring SC: Separate Circuit
	8:8'	1-28W T5 1-32W T8 1-54W T5HO 2-28W T5 2-32W T8 2-54W T5HO				

YOUR ORDER

CHA

Note: Picasso lighting industries, LLC reserves the right to make any design changes which will not affect the overall appearance or performance of the product. All ceilings to be adequately reinforced by others. All fixtures to be wired by licensed electrician only. The information contained herein is the sole property of Picasso Lighting Industries, LLC and may not be used without prior written consent of Picasso Lighting Industries, LLC. The 'USGBC member logo' is a trademark owned by the U.S. Green building council and is used by permission. The logo signifies only that Picasso Lighting Industries, LLC is a USGBC member; USGBC does not review, certify, or endorse the products or services offered by its members.



PICASSO LIGHTING INDUSTRIES, LLC

46 Sellers Street, Kearny, NJ 07032 T 201.246.8188 F 201.246.8122 www.picassoltg.com ©2013 Picasso Lighting Industries, LLC