

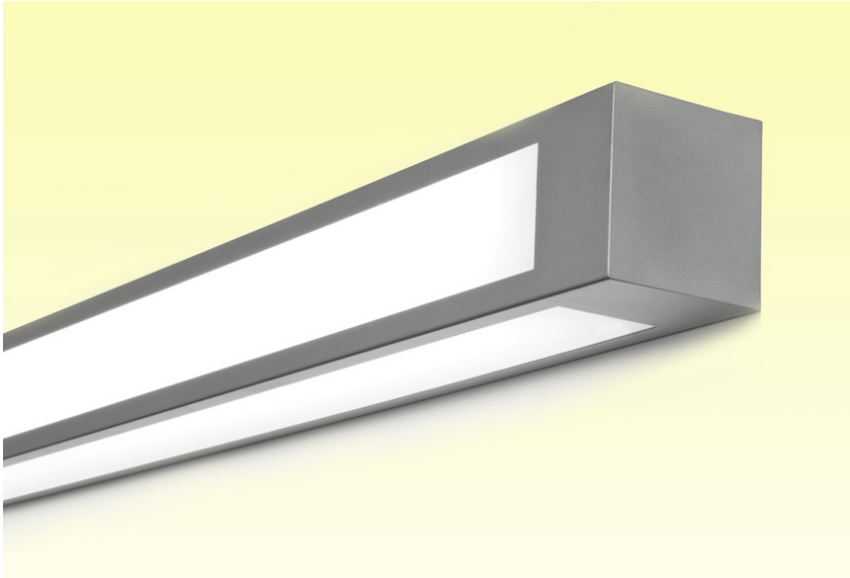
SURFACE MOUNT

AIDEN SERIES

SURFACE MOUNTED LUMINAIRE

FIXTURE TYPE

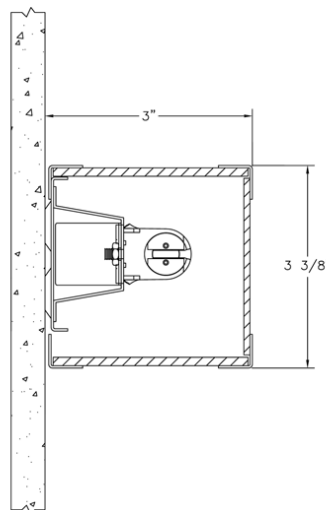
PROJECT



PRODUCT FEATURES

- Versatile 3 sided light
- Ideal for bathrooms, corridors, stairwell and utility
- Available in 2', 3' and 4' lengths
- Powder coated matte white (Standard Color) or black and silver metallic optionally available or stainless steel.

FIXTURE DETAILS



SPECIFICATIONS

HOUSING Die formed 20 gauge cold rolled steel. 20 gauge stainless steel optionally available

FINISH Powder coated matte white (Standard Color) or black and silver metallic optionally available or stainless steel.



PICASSO LIGHTING INDUSTRIES, LLC

46 Sellers Street, Kearny, NJ 07032 T 201.246.8188 F 201.246.8122 www.picassoltg.com ©2013 Picasso Lighting Industries, LLC

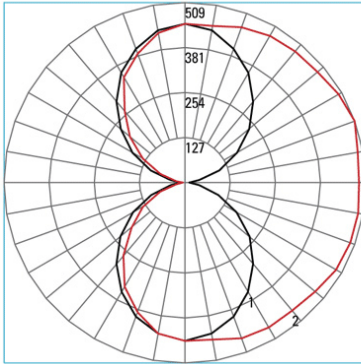
- BALLAST** Electronic ballast universal voltage (120V-277V).
LAMPS T5 and T5 HO (See ordering format for lamp configurations).
LABELING UL/CUL Listed. I.B.E.W.(Local 3). ADA compliant. Damp label. Made in the U.S.A.
MEMBERS U.S. Green Building Council, IESNA sustaining member.

PHOTOMETRICS

IES Report for Catalog Number AID-4-154W T5 HO, Lamps 1-54W T5 HO

IES INDOOR REPORT PHOTOMETRIC FILENAME AID-4-154W-T5 HO.IES

POLAR GRAPH



— # 1 Vertical Plane Through Horizontal Angles (90 -270)
 — # 2 Vertical Plane Through Horizontal Angles (0 -180)

COEFFICIENTS OF UTILIZATION – ZONAL CAVITY METHOD

Effective Floor Cavity Reflectance 0.20

| RC | 80 | | | | 70 | | | | 50 | | | | 30 | | | | 10 | | | | 0 | | | |
|----|----|----|----|----|----|----|----|----|----|----|----|----|----|----|----|----|----|----|----|----|----|---|--|--|
| | RW | 70 | 50 | 30 | 10 | 70 | 50 | 30 | 10 | 50 | 30 | 10 | 50 | 30 | 10 | 50 | 30 | 10 | 50 | 30 | 10 | 0 | | |
| 0 | 71 | 71 | 71 | 71 | 65 | 65 | 65 | 65 | 55 | 55 | 55 | 46 | 46 | 46 | 37 | 37 | 37 | 33 | | | | | | |
| 1 | 63 | 60 | 56 | 54 | 58 | 55 | 52 | 50 | 46 | 44 | 42 | 38 | 36 | 35 | 30 | 29 | 28 | 25 | | | | | | |
| 2 | 57 | 51 | 47 | 43 | 52 | 47 | 43 | 40 | 40 | 37 | 34 | 33 | 30 | 28 | 26 | 24 | 23 | 20 | | | | | | |
| 3 | 52 | 45 | 39 | 35 | 47 | 41 | 36 | 33 | 34 | 31 | 28 | 28 | 26 | 23 | 23 | 21 | 19 | 16 | | | | | | |
| 4 | 47 | 39 | 34 | 29 | 43 | 36 | 31 | 27 | 30 | 27 | 23 | 25 | 22 | 20 | 20 | 18 | 16 | 13 | | | | | | |
| 5 | 43 | 35 | 29 | 25 | 39 | 32 | 27 | 23 | 27 | 23 | 20 | 22 | 19 | 17 | 18 | 16 | 14 | 11 | | | | | | |
| 6 | 40 | 31 | 25 | 21 | 36 | 29 | 24 | 20 | 24 | 20 | 17 | 20 | 17 | 15 | 16 | 14 | 12 | 10 | | | | | | |
| 7 | 37 | 28 | 23 | 19 | 33 | 26 | 21 | 17 | 22 | 18 | 15 | 18 | 15 | 13 | 15 | 12 | 11 | 9 | | | | | | |
| 8 | 34 | 25 | 20 | 16 | 31 | 24 | 19 | 15 | 20 | 16 | 13 | 17 | 14 | 11 | 13 | 11 | 9 | 8 | | | | | | |
| 9 | 32 | 23 | 18 | 15 | 29 | 21 | 17 | 14 | 18 | 14 | 12 | 15 | 12 | 10 | 12 | 10 | 8 | 7 | | | | | | |
| 10 | 29 | 21 | 16 | 13 | 27 | 20 | 15 | 12 | 17 | 13 | 11 | 14 | 11 | 9 | 12 | 9 | 8 | 6 | | | | | | |

ZONAL LUMEN SUMMARY

| Zone | Lumens | %Lamp | %Fixt |
|--------|---------|-------|-------|
| 0-30 | 347.93 | 7 | 10.5 |
| 0-40 | 574.66 | 11.5 | 17.4 |
| 0-60 | 1062.77 | 21.3 | 32.2 |
| 0-90 | 1644.28 | 32.9 | 49.8 |
| 90-120 | 585.8 | 11.7 | 17.7 |
| 90-130 | 832.58 | 16.7 | 25.2 |
| 90-150 | 1307.98 | 26.2 | 39.6 |
| 90-180 | 1656.54 | 33.1 | 50.2 |
| 0-180 | 3300.82 | 66 | 100 |

TOTAL LUMINAIRE EFFICIENCY: 66%
LUMINAIRE EFFICACY RATING: 56

* Visit our website www.picassoltg.com to download IES files and Photometric Reports.

* Please consult with Picasso Lighting for application layouts.

ORDERING FORMAT

| SERIES | SIZE | LAMPING | BALLAST | VOLTAGE | OPTIONS |
|--------------|-------------|------------------------|--|----------------------|--|
| Aiden | 2:2' | 1-14W T5 1-24W T5HO | ELB: Electronic ELB/DIM: Dimming-Specify type and voltage | UE: 120V-277V | BK: Black CC: Custom Colors EM: Emergency Battery-Specify Voltage LPI: Lamps supplied by others/installed by Picasso SS: Stainless Steel SV: Silver |
| | 3:3' | 1-21W T5 1-39W T5HO | | | |
| | 4:4' | 1-28W T5 1-54W T5HO | | | |

YOUR ORDER

| | | | | |
|-----|--|--|--|--|
| AID | | | | |
|-----|--|--|--|--|

Note: Picasso lighting industries, LLC reserves the right to make any design changes which will not affect the overall appearance or performance of the product. All ceilings to be adequately reinforced by others. All fixtures to be wired by licensed electrician only. The information contained herein is the sole property of Picasso Lighting Industries, LLC and may not be used without prior written consent of Picasso Lighting Industries, LLC. The 'USGBC member logo' is a trademark owned by the U.S. Green building council and is used by permission. The logo signifies only that Picasso Lighting Industries, LLC is a USGBC member; USGBC does not review, certify, or endorse the products or services offered by its members.



PICASSO LIGHTING INDUSTRIES, LLC

46 Sellers Street, Kearny, NJ 07032 T 201.246.8188 F 201.246.8122 www.picassoltg.com ©2013 Picasso Lighting Industries, LLC