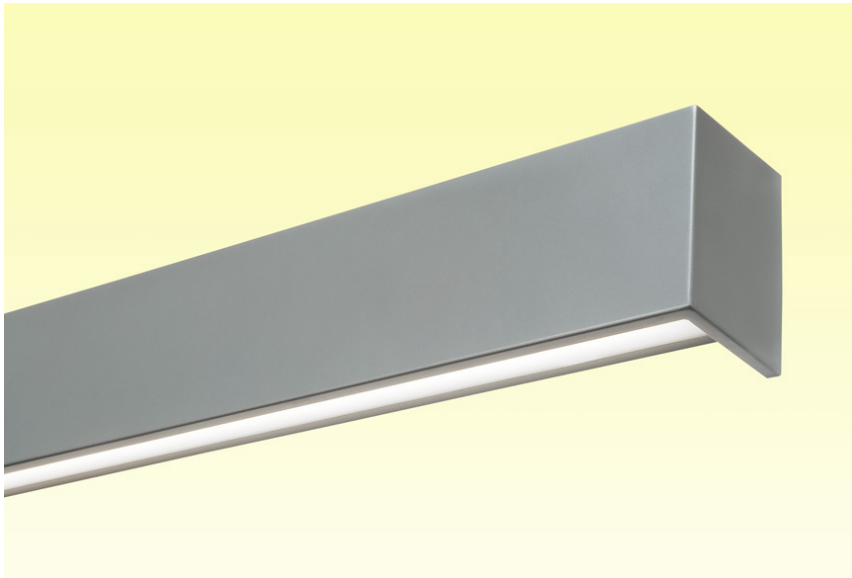


# JOSHUA SERIES

## SURFACE MOUNTED LUMINAIRE

FIXTURE TYPE

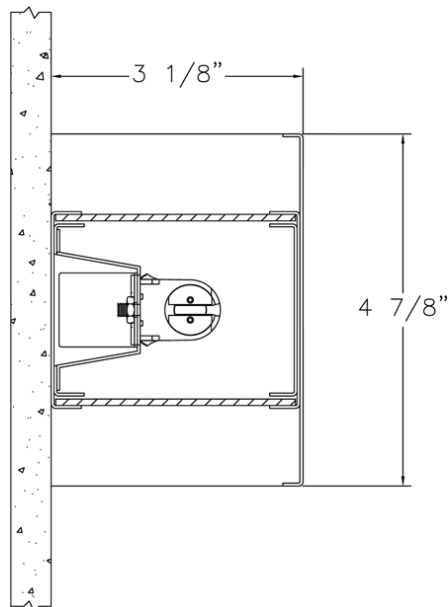
PROJECT



### PRODUCT FEATURES

- Suitable for corridors, stairwell, utility or bathroom applications
- Versatile wall bracket for vertical and horizontal mounting
- Available in white, black, silver metallic powder coated and brushed stainless steel
- Available in 2', 3' and 4' lengths

### FIXTURE DETAILS



### SPECIFICATIONS



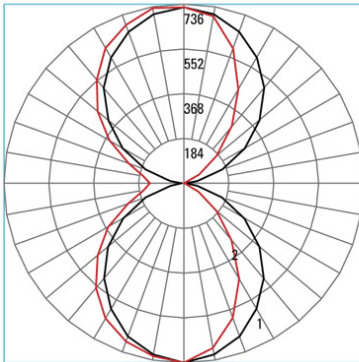
- HOUSING** Die formed 20 gauge cold rolled steel. 20 gauge stainless steel optionally available
- FINISH** Powder coated matte white or black and silver metallic optionally available or brushed stainless steel.
- BALLAST** Electronic ballast universal voltage (120V-277V).
- LAMPS** T5 and T5 HO (See ordering format for lamp configurations).
- LABELING** UL/CUL Listed. I.B.E.W.(Local 3). ADA compliant. Damp label. Made in the U.S.A.
- MEMBERS** U.S. Green Building Council, IESNA sustaining member.

## PHOTOMETRICS

IES Report for Catalog Number JOS-4-154W T5 HO, Lamps 1-54W T5 HO

IES INDOOR REPORT PHOTOMETRIC FILENAME JOS-4-154W T5-HO.IES

### POLAR GRAPH



— # 1 Vertical Plane Through Horizontal Angles (90 -270)  
 — # 2 Vertical Plane Through Horizontal Angles (0 -180)

### COEFFICIENTS OF UTILIZATION – ZONAL CAVITY METHOD

Effective Floor Cavity Reflectance 0.20

RC	80				70				50				30				10				0					
	70	50	30	10	70	50	30	10	50	30	10	50	30	10	50	30	10	50	30	10	50	30	10			
0	77	77	77	77	71	71	71	71	60	60	60	50	50	50	41	41	41	36	36	36	30	30	30	25	25	25
1	70	67	64	62	65	62	60	57	53	51	49	44	43	41	36	35	34	30	30	30	25	25	25	22	22	22
2	64	59	54	51	59	54	51	47	46	43	41	39	36	35	31	30	29	25	25	25	22	22	22	19	19	19
3	59	52	47	42	54	48	43	40	41	37	34	34	32	29	28	26	25	22	22	22	19	19	19	16	16	16
4	54	46	40	36	49	43	38	34	36	32	29	30	28	25	25	23	21	19	19	19	16	16	16	14	14	14
5	49	41	35	31	45	38	33	29	33	29	25	27	24	22	23	20	19	16	16	16	14	14	14	11	11	11
6	45	37	31	27	42	34	29	25	29	25	22	25	22	19	21	18	16	14	14	14	11	11	11	9	9	9
7	42	33	28	24	39	31	26	22	27	23	20	23	19	17	19	16	15	13	13	13	11	11	11	9	9	9
8	39	30	25	21	36	28	23	20	24	20	17	21	18	15	17	15	13	11	11	11	9	9	9	7	7	7
9	36	28	22	19	34	26	21	18	22	18	16	19	16	14	16	14	12	10	10	10	9	9	9	7	7	7
10	34	25	20	17	31	24	19	16	21	17	14	18	15	12	15	13	11	9	9	9	7	7	7	6	6	6

### ZONAL LUMEN SUMMARY

Zone	Lumens	%Lamp	%Fixt
0-30	546.74	10.9	15.2
0-40	872.6	17.5	24.2
0-60	1454.47	29.1	40.3
0-90	1805.66	36.1	50.1
90-120	350.43	7	9.7
90-130	615.62	12.3	17.1
90-150	1256.51	25.1	34.8
90-180	1801.3	36	49.9
0-180	3606.96	72.1	100

**TOTAL LUMINAIRE EFFICIENCY: 72.1%**  
**LUMINAIRE EFFICACY RATING: 56**

\* Visit our website [www.picassoltg.com](http://www.picassoltg.com) to download IES files and Photometric Reports.  
 \* Please consult with Picasso Lighting for application layouts.

## ORDERING FORMAT

SERIES	SIZE	LAMPING	BALLAST	VOLTAGE	OPTIONS
Joshua	2:2' 3:3' 4:4'	1-14W T5 1-24W T5HO 1-21W T5 1-39W T5HO 1-28W T5 1-54W T5HO	ELB:Electronic ELB/DIM:Dimming-Specify type and voltage	UE:120V-277V	BK:Black CC:Custom Colors EM:Emergency Battery-Specify Voltage LPI:Lamps supplied by others/installed by Picasso SS:Stainless Steel SV:Silver

YOUR ORDER

JOS

Note: Picasso lighting industries, LLC reserves the right to make any design changes which will not affect the overall appearance or performance of the product. All ceilings to be adequately reinforced by others. All fixtures to be wired by licensed electrician only. The information contained herein is the sole property of Picasso Lighting Industries, LLC and may not be used without prior written consent of Picasso Lighting Industries, LLC. The 'USGBC member logo' is a trademark owned by the U.S. Green building council and is used by permission. The logo signifies only that Picasso Lighting Industries, LLC is a USGBC member; USGBC does not review, certify, or endorse the products or services offered by its members.



**PICASSO LIGHTING INDUSTRIES, LLC**

46 Sellers Street, Kearny, NJ 07032 T 201.246.8188 F 201.246.8122 [www.picassoltg.com](http://www.picassoltg.com) ©2013 Picasso Lighting Industries, LLC