

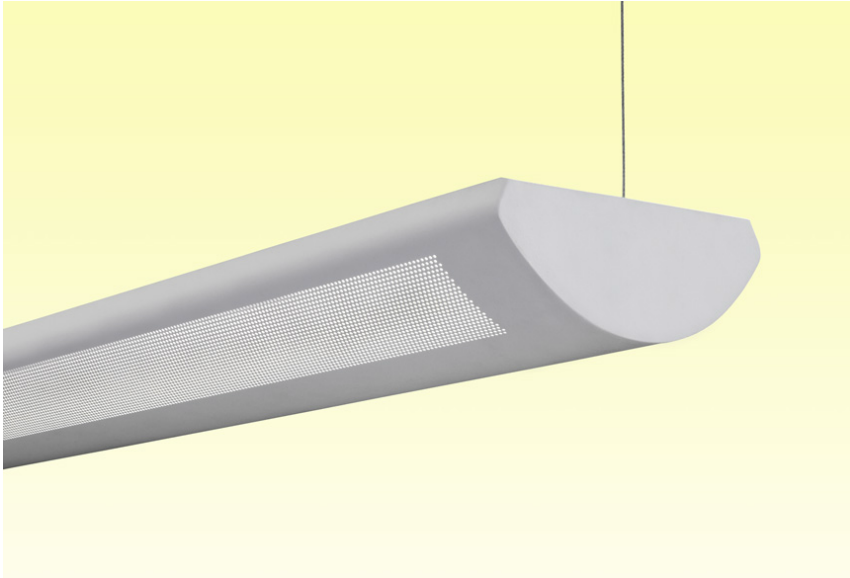
SUSPENDED

## DORA SERIES

SUSPENDED DIRECT / INDIRECT LUMINAIRE

FIXTURE TYPE

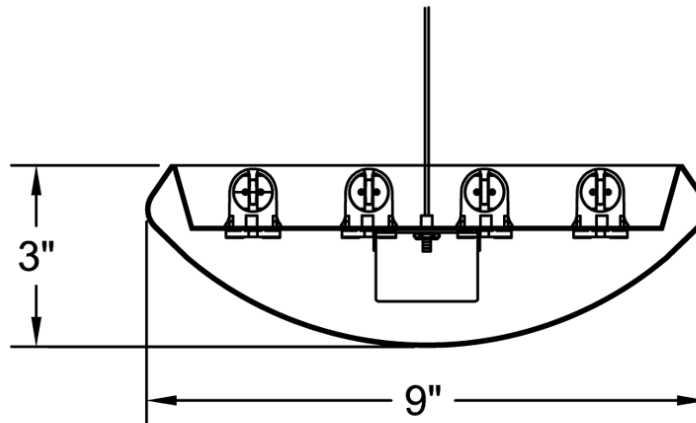
PROJECT



### PRODUCT FEATURES

- Housing design allows up to four lamps in cross section.
- Suspended direct indirect fixture with partial perf pattern.
- One piece rigid die formed steel housing.
- 4' and 8' housing for continuous row mounting.
- Can be specified with T5 or T8 lamps.

### FIXTURE DETAILS



### SPECIFICATIONS

- HOUSING** Die formed 20 gauge cold rolled steel with partial perforations  
**MOUNTING** Specify 48" adjustable aircraft cable or pendants.



**PICASSO LIGHTING INDUSTRIES, LLC**

46 Sellers Street, Kearny, NJ 07032 T 201.246.8188 F 201.246.8122 www.picassoltg.com ©2013 Picasso Lighting Industries, LLC

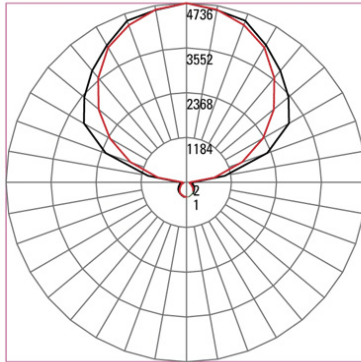
**FINISH** High reflectance powder coated matte white.  
**BALLAST** Electronic ballast universal voltage (120V-277V).  
**LAMPS** T5 and T8. (See ordering format for lamp configurations.)  
**LABELING** UL Listed, I.B.E.W. (Local 3) made in the U.S.A.  
**MEMBERS** U.S. Green Building Council, IESNA sustaining member.

## PHOTOMETRICS

IES Report for Catalog Number DOR-4-454W-T5, Lamps 4-54W T5

IES INDOOR REPORT PHOTOMETRIC FILENAME DOR-4-454W T5-HO.IES

### POLAR GRAPH



— # 1 Vertical Plane Through Horizontal Angles (90 -270)  
 — # 2 Vertical Plane Through Horizontal Angles (0 -180)

### COEFFICIENTS OF UTILIZATION – ZONAL CAVITY METHOD

Effective Floor Cavity Reflectance 0.20

RC	80				70				50				30				10				0
RW	70	50	30	10	70	50	30	10	50	30	10	50	30	10	50	30	10	50	30	10	0
0	85	85	85	85	73	73	73	73	52	52	52	33	33	33	15	15	15	7	5	3	1
1	77	73	70	67	66	63	61	58	45	43	42	28	27	27	13	12	12	5	4	3	2
2	70	64	58	54	60	55	51	47	39	37	34	25	23	22	11	11	10	4	3	2	1
3	63	56	50	45	55	48	43	39	34	31	29	22	20	18	10	9	8	3	2	1	0
4	58	49	43	38	50	43	37	33	30	27	24	19	17	16	9	8	7	3	2	1	0
5	53	43	37	32	45	38	32	28	27	23	21	17	15	13	8	7	6	2	1	0	0
6	48	39	32	27	42	34	28	24	24	20	18	15	13	11	7	6	5	2	1	0	0
7	45	35	28	24	38	30	25	21	22	18	15	14	12	10	6	5	5	2	1	0	0
8	41	31	25	21	36	27	22	18	20	16	13	12	10	9	6	5	4	2	1	0	0
9	38	28	22	18	33	25	19	16	18	14	12	11	9	8	5	4	4	1	0	0	0
10	36	26	20	16	31	22	17	14	16	13	10	10	8	7	5	4	3	1	0	0	0

### ZONAL LUMEN SUMMARY

Zone	Lumens	%Lamp	%Fixt
0-30	0	0	0
0-40	0	0	0
0-60	0	0	0
0-90	0	0	0
90-120	513.1	17.7	22
90-130	908.3	31.3	39
90-150	1732.52	59.7	74.3
90-180	2331.13	80.4	100
0-180	2331.13	80.4	100

**TOTAL LUMINAIRE EFFICIENCY: 80.4%**  
**LUMINAIRE EFFICACY RATING: 71**

\* Visit our website [www.picassoltg.com](http://www.picassoltg.com) to download IES files and Photometric Reports.  
 \* Please consult with Picasso Lighting for application layouts.

## ORDERING FORMAT

SERIES	SIZE	LAMPING	MOUNTING	BALLAST	VOLTAGE	OPTIONS
Dora	4:4'	2-28W T5 2-32W T8 2-54W T5HO 3-28W T5 3-32W T8 3-54W T5HO 4-28W T5 4-32W T8 4-54W T5HO	AK:Aircraft cable kit PK:Pendant kit	ELB:Electronic ELB/DIM:Dimming-Specify type and voltage	UE:120V-277V	CC:Custom colors EM:Emergency Battery-Specify Voltage LPI:Lamps supplied by others/installed by Picasso PTW:Plug Thru Wiring SC:Separate circuit
	8:8'	2-28W T5 2-32W T8 2-54W T5HO 3-28W T5 3-32W T8 3-54W T5HO 4-28W T5 4-32W T8 4-54W T5HO				

YOUR ORDER

DOR						
-----	--	--	--	--	--	--

Note: Picasso lighting industries, LLC reserves the right to make any design changes which will not affect the overall appearance or performance of the product. All ceilings to be adequately reinforced by others. All fixtures to be wired by licensed electrician only. The information contained herein is the sole property of Picasso Lighting Industries, LLC and may not be used without prior written consent of Picasso Lighting Industries, LLC. The 'USGBC member logo' is a trademark owned by the U.S. Green building council and is used by permission. The logo signifies only that Picasso Lighting Industries, LLC is a USGBC member; USGBC does not review, certify, or endorse the products or services offered by its members.



**PICASSO LIGHTING INDUSTRIES, LLC**

46 Sellers Street, Kearny, NJ 07032 T 201.246.8188 F 201.246.8122 [www.picassoltg.com](http://www.picassoltg.com) ©2013 Picasso Lighting Industries, LLC