

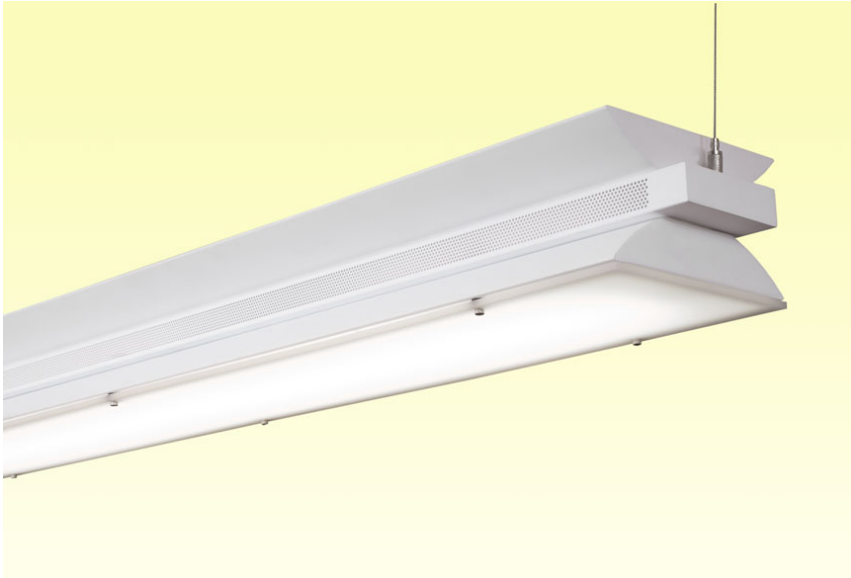
**SUSPENDED**

# CRESCENT

SUSPENDED DIRECT/INDIRECT

FIXTURE TYPE

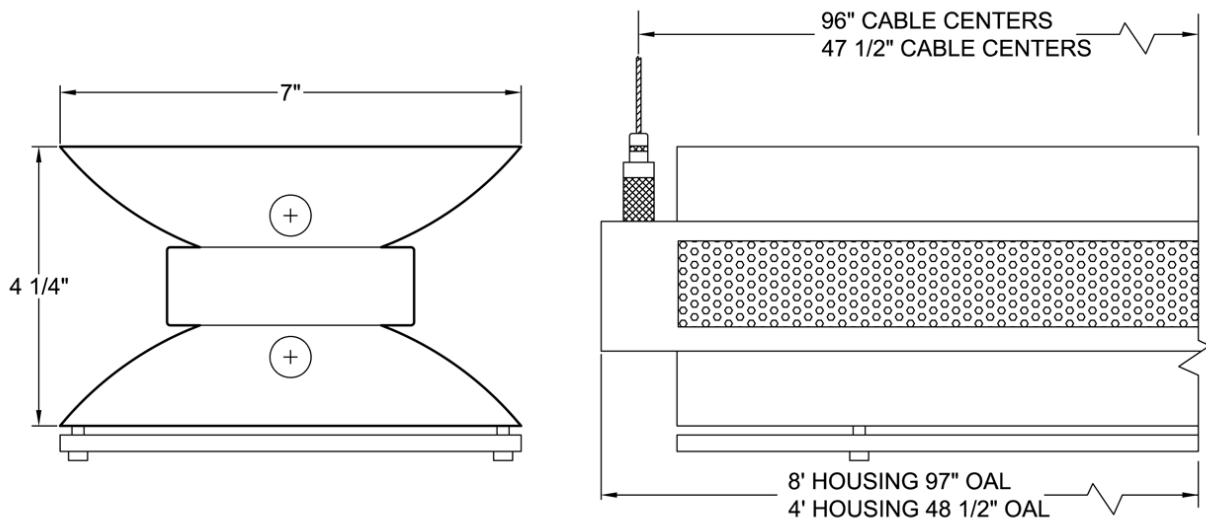
PROJECT



## PRODUCT FEATURES

- Deconstructed direct/indirect design with clean modern lines
- Side perforations have soft even glow.
- 4' and 8' housing for continuous row mounting
- Optimized for T5 Lamps.
- Ideal for schools and open office applications
- 83% Fixture efficiency for LEED compliant projects
- 56% up/44% downlight distribution

## FIXTURE DETAILS



# SPECIFICATIONS

- HOUSING** Die formed 20 gauge cold rolled steel.
- MOUNTING** Specify 48" adjustable aircraft cable or pendants.
- FINISH** High reflectance powder coated matte white.
- BALLAST** Electronic ballast universal voltage (120V-277V).
- LAMPS** T5 (See ordering format for lamp configurations).
- SHIELDING** 1/4" Thick opal acrylic lens
- LABELING** UL/CUL Listed. I.B.E.W.(Local 3) Made in the U.S.A.
- MEMBERS** U.S. Green Building Council, IESNA sustaining member.

# PHOTOMETRICS

IES Report for Catalog Number CRE-4-154 UP-154 DN-AK-ELB-UE, Lamps 2 54W T5 HO

Polar curve	Coefficients of Utilization - Zonal Cavity Method Effective Floor Cavity Reflectance .20														Zonal Lumen Summary												
	RC	80				70				50				30		10		0	Zone	Lumens	%Lamp	%Fixt					
	RW	70	50	30	10	70	50	30	10	50	30	10	50	30	10	50	30	10	0	0-30	0-60	0-90	90-120	90-150	90-180	0-180	
<p>0 Deg plane: _____ 90 Deg plane: _____</p>	0	88	88	88	88	80	80	80	80	66	66	66	54	54	54	42	42	42	36	0-30	961	9.6	11.6				
	1	80	76	73	70	73	70	67	64	58	56	54	47	45	44	34	34	34	30	0-60	1560	15.6	18.8				
	2	72	66	61	57	66	61	56	52	50	47	44	41	38	36	28	28	28	25	0-90	2758	27.6	33.3				
	3	66	58	52	47	60	53	48	43	44	40	37	36	33	30	23	23	23	21	90-120	1235	12.3	14.9				
	4	60	51	44	39	55	47	41	37	39	35	31	32	28	26	20	20	20	18	90-150	3583	35.8	43.3				
	5	55	45	39	34	50	42	36	31	35	30	27	28	25	22	17	17	17	15	90-180	4658	46.6	56.2				
	6	51	41	34	29	46	37	31	27	31	27	23	26	22	19	15	15	15	13	TOTAL LUMINAIRE EFFICIENCY: 83.1%							
	7	47	36	30	25	43	34	28	24	28	24	20	23	20	17	13	13	13	12	LUMINAIRE EFFICIENCY RATING: 69							
	8	43	33	27	22	40	30	25	21	26	21	18	21	18	15	12	12	12	10								
	9	40	30	24	20	37	28	22	18	23	19	16	19	16	13	10	10	10	9								
	10	38	28	21	17	34	25	20	16	22	17	14	18	15	12	9	9	9	8								

# ORDERING FORMAT

SERIES	SIZE	LAMPING	MOUNTING	BALLAST	VOLTAGE	OPTIONS
<b>Crescent</b>	4:4'	2-28W T5 2-54W T5HO	<b>AK:</b> Aircraft cable kit <b>PK:</b> Pendant mount kit	<b>ELB:</b> Electronic <b>ELB/DIM:</b> Dimming-specify type and voltage	<b>UE:</b> 120V-277V	<b>CC:</b> Custom colors <b>EM:</b> Emergency battery-specify voltage <b>LPI:</b> Lamps supplied by others/installed by Picasso <b>PTW:</b> Plug thru wiring <b>SC:</b> Separate circuit
	8:8'	2-28W T5 2-54W T5HO				

YOUR ORDER

CRE						
-----	--	--	--	--	--	--

Note: Picasso lighting industries, LLC reserves the right to make any design changes which will not affect the overall appearance or performance of the product. All ceilings to be adequately reinforced by others. All fixtures to be wired by licensed electrician only. The information contained herein is the sole property of Picasso Lighting Industries, LLC and may not be used without prior written consent of Picasso Lighting Industries, LLC. The 'USGBC member logo' is a trademark owned by the U.S. Green building council and is used by permission. The logo signifies only that Picasso Lighting Industries, LLC is a USGBC member; USGBC does not review, certify, or endorse the products or services offered by its members.



**PICASSO LIGHTING INDUSTRIES, LLC**

46 Sellers Street, Kearny, NJ 07032 T 201.246.8188 F 201.246.8122 www.picassoltg.com ©2013 Picasso Lighting Industries, LLC